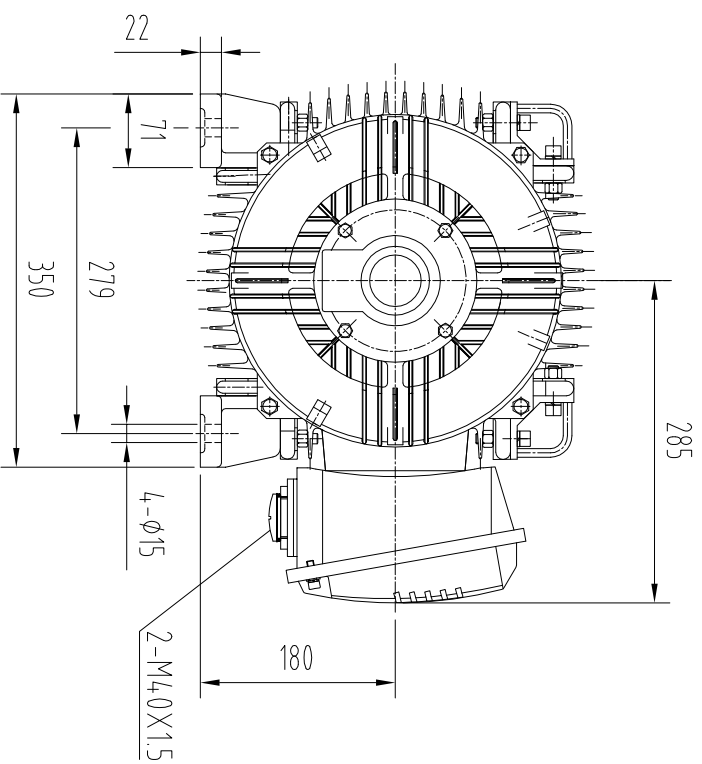
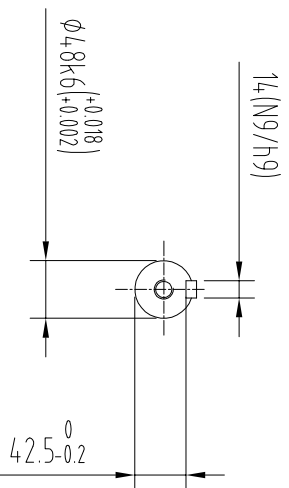


A-A



180M-B3-2-8P-M3

MOTOR OUTLINE

EMT OMEC