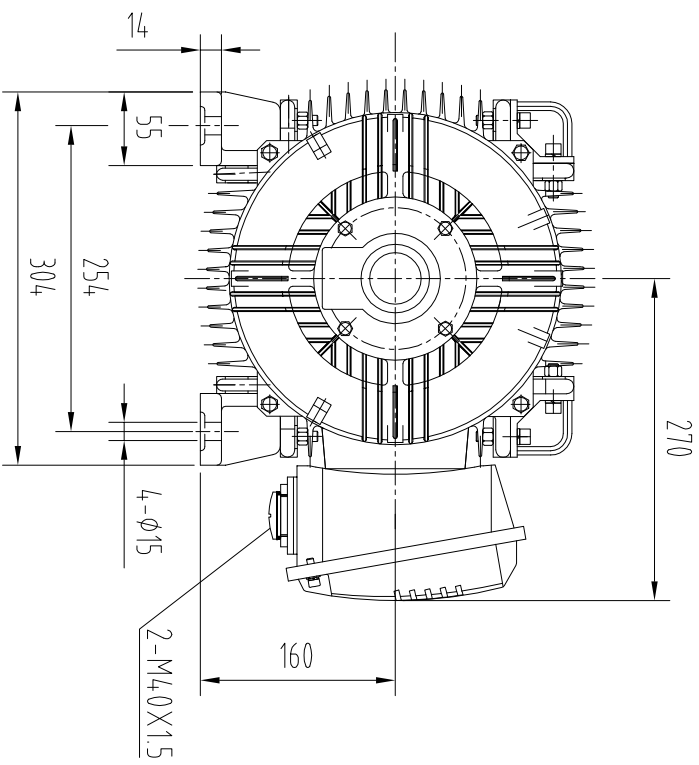
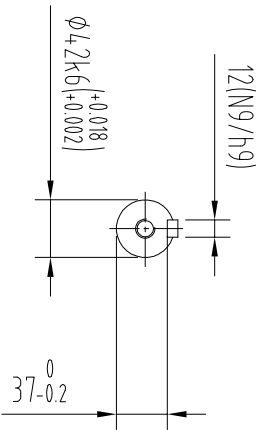


A-A



160M-B3-2-8P-M3
MOTOR OUTLINE

E.M.T. OMEC