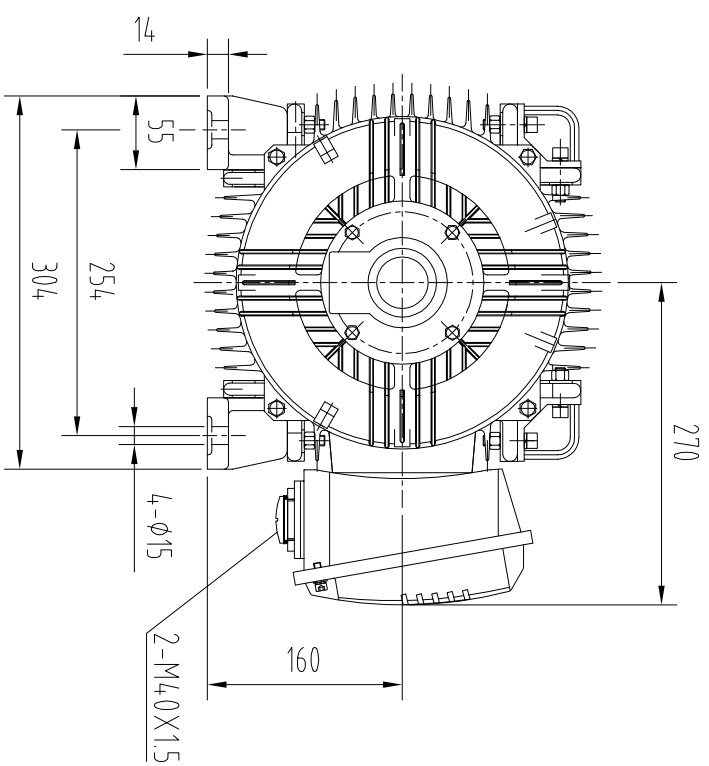
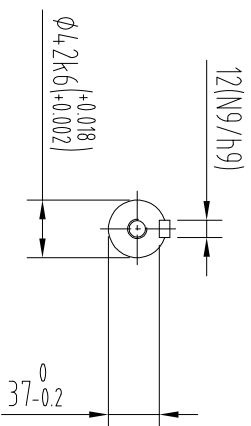


A-A



160L-B3-2-8P-M3
 MOTOR OUTLINE
 EMT OMEC