

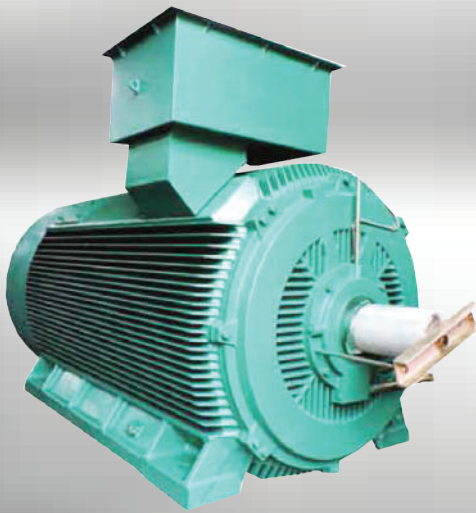


**High
Efficiency**

**COMPACT MEDIUM &
HIGH VOLTAGE
MOTORS**

COMPACT MEDIUM & HIGH VOLTAGE MOTORS (OM-HV)

Technical characteristics



Protection : IP55

Cooling IC411 or IC416

Mounting B3/B35/V1

Insulation Class F, Temperature rise Class B

Duty S1

Voltage 6,600V & 11,000V Standard others on Request

Frequency : 50HZ or 60 HZ

Power Range : 160 – 1800 KW

Fulfill IE3, and IE4 on Request

According JB/T1044-2014

Altitude ratings at 1000 meters, other design altitudes on request

Ambient temperature : -20 - +40degree C

Air humidity / temperature : month average highest 90 %, and the average temperature no more than 25 degree C

Voltage \pm 5%, Frequency \pm 2%, Voltage and Frequency \pm 5%

Cast iron Frame

A regreasing device with lubricating nipple (no stop lubrication)

Bearing / winding PT100 or PTC, anti-condensation heaters can be an option.

Technical data (6KV / 6.6KV)

Motor Type	Rated Power		Rated Speed	Efficiency	Power Factor	Current			Torque			Moment of Inertia J kgm ²	Approx Wt. Kg
	KW	HP	RPM	%	Cos Ø	Full Load 6KV	Full Load 6.6KV	Locked Rotor	Full Load	Locked Rotor	Pull out		
						A	A	% FLC	Kg-m	% FLT	% FLT		
OM-HV-355-2	185	250	2980	93.0	84.0	22.8	20.7	700	60	70	200	2.6	1900
OM-HV-355-2	200	270	2980	93.2	84.0	24.6	22.3	700	65	70	200	2.8	2000
OM-HV-355-2	220	295	2980	93.3	84.0	27.0	24.6	700	72	70	200	3.0	2100
OM-HV-355-2	250	335	2980	93.4	84.0	30.7	27.9	700	82	70	200	3.3	2200
OM-HV-355-2	280	375	2980	93.6	86.0	33.5	30.4	700	92	70	200	3.5	2350
OM-HV-400-2	315	420	2980	93.9	86.0	37.5	34.1	700	103	70	200	5.0	2900
OM-HV-400-2	355	475	2980	94.1	86.0	42.2	38.4	700	116	70	200	5.5	3000
OM-HV-400-2	400	535	2980	94.5	86.0	47.4	43.1	700	131	70	200	8.0	3100
OM-HV-400-2	450	605	2980	94.7	86.0	53.2	48.3	700	147	70	200	7.0	3200
OM-HV-450-2	500	670	2982	95.0	87.0	58.2	52.9	700	163	70	200	11	3500
OM-HV-450-2	560	750	2982	95.1	87.0	65.1	59.2	700	183	70	200	12	3600
OM-HV-450-2	630	845	2982	95.2	87.0	73.2	66.5	700	206	70	200	13	3700
OM-HV-450-2	710	950	2982	95.3	87.0	82.4	74.9	700	232	70	200	14	3850
OM-HV-500-2	800	1070	2982	95.6	88.0	91.5	83.2	700	261	70	200	17	5780
OM-HV-500-2	900	1205	2982	95.7	88.0	102.8	93.5	700	294	70	200	19	6050
OM-HV-500-2	1000	1340	2982	95.8	88.0	114.1	103.8	700	327	70	200	21	6320
OM-HV-500-2	1120	1500	2982	95.9	88.0	127.7	116.1	700	366	70	200	23	6600
OM-HV-560-2	1250	1680	2985	96.1	0.89	140.6	127.9	700	408	70	200	24	8400
OM-HV-560-2	1400	1880	2985	96.2	0.89	157.3	143	700	457	70	200	30	8800
OM-HV-560-2	1600	2140	2985	96.3	0.89	179.6	163.3	700	522	70	200	33	9200
OM-HV-355-4	185	250	1485	93.4	84.0	22.7	20.8	650	121	80	200	6.0	1900
OM-HV-355-4	200	270	1485	93.6	84.0	24.5	22.3	650	131	80	200	7.0	2000
OM-HV-355-4	220	295	1485	93.7	84.0	26.9	24.5	650	144	80	200	8.0	2100
OM-HV-355-4	250	335	1485	93.8	84.0	30.5	27.8	650	164	80	200	9.0	2200
OM-HV-355-4	280	375	1485	93.9	84.0	34.2	31.1	650	184	80	200	10	2300
OM-HV-400-4	315	420	1485	94.1	85.0	37.9	34.5	650	207	80	200	11	3000
OM-HV-400-4	355	475	1485	94.3	85.0	42.6	38.7	650	233	80	200	12	3100
OM-HV-400-4	400	535	1485	94.4	85.0	48.0	43.6	650	262	80	200	13	3200

Technical data (6KV / 6.6KV)

Motor Type	Rated Power		Rated Speed	Efficiency	Power Factor	Current			Torque			Moment of Inertia J	Approx Wt.
	KW	HP				RPM	%	Cos Ø	Full Load 6KV	Full Load 6.6KV	Locked Rotor		
			A	A	% FLC				Kg-m	% FLT	% FLT	kgm2	Kg
OM-HV-400-4	450	605	1485	94.6	85.0	53.9	49.0	650	295	80	200	14	3300
OM-HV-450-4	500	670	1485	94.8	86.0	59.0	53.7	650	328	80	200	22	3600
OM-HV-450-4	560	750	1485	95.0	86.0	66.0	60.0	650	367	80	200	24	3700
OM-HV-450-4	630	845	1485	95.2	86.0	74.0	67.3	650	413	80	200	26	3800
OM-HV-450-4	710	950	1485	95.4	86.0	83.3	75.7	650	466	80	200	28	3950
OM-HV-500-4	800	1070	1488	95.5	86.0	93.7	85.2	650	524	80	200	41	5820
OM-HV-500-4	900	1210	1488	95.6	86.0	105.3	95.8	650	589	80	200	44	6100
OM-HV-500-4	1000	1340	1488	95.7	86.0	116.9	106.3	650	655	80	200	47	6280
OM-HV-500-4	1120	1500	1488	95.8	86.0	130.8	118.9	650	733	80	200	50	6420
OM-HV-560-4	1250	1680	1488	96.0	87.0	144.0	130.9	650	819	70	200	70	8020
OM-HV-560-4	1400	1880	1488	96.0	87.0	161.3	146.6	650	917	70	200	74	8390
OM-HV-560-4	1600	2140	1488	96.1	87.0	184.2	167.4	650	1048	70	200	78	8750
OM-HV-560-4	1800	2410	1488	96.2	87.0	207.0	188.1	650	1179	70	200	82	9100
OM-HV-355-6	160	215	985	93.0	80.0	20.7	18.8	600	158	80	200	9.0	2200
OM-HV-355-6	185	250	985	93.2	80.0	23.9	21.7	600	183	80	200	10	2300
OM-HV-355-6	200	270	985	93.4	80.0	25.8	23.4	600	198	80	200	11	2400
OM-HV-400-6	220	295	988	93.5	82.0	27.6	25.1	600	217	80	200	14	2900
OM-HV-400-6	250	335	988	93.7	82.0	31.3	28.5	600	247	80	200	16	3000
OM-HV-400-6	280	375	988	93.9	82.0	35.0	31.8	600	276	80	200	18	3200
OM-HV-400-6	315	420	988	94.2	82.0	39.2	35.7	600	311	80	200	20	3400
OM-HV-450-6	355	475	988	94.4	83.0	43.6	39.6	600	350	80	200	28	3500
OM-HV-450-6	400	535	988	94.4	83.0	49.1	44.7	600	395	80	200	30	3600
OM-HV-450-6	450	605	988	94.7	83.0	55.1	50.1	600	444	80	200	32	3700
OM-HV-450-6	500	670	988	95.0	83.0	61.0	55.5	600	493	80	200	34	3820
OM-HV-500-6	560	750	990	95.1	83.0	68.3	62.1	600	551	80	200	54	6610
OM-HV-500-6	630	845	990	95.2	83.0	76.7	69.7	600	620	80	200	58	5790
OM-HV-500-6	710	950	990	95.4	83.0	86.3	78.4	600	699	80	200	62	6010
OM-HV-500-6	800	1070	990	95.5	83.0	97.1	88.3	600	787	80	200	66	6230

Technical data (6KV / 6.6KV)

Motor Type	Rated Power		Rated Speed	Efficiency	Power Factor	Current			Torque			Moment of Inertia J	Approx Wt.
	KW	HP				RPM	%	Cos Ø	Full Load 6KV	Full Load 6.6KV	Locked Rotor		
			A	A	% FLC				Kg-m	% FLT	% FLT	kgm2	Kg
OM-HV-560-8	900	1210	990	95.6	84.0	107.8	98.0	600	888	70	200	194	7650
OM-HV-560-8	1000	1340	990	95.7	84.0	119.7	108.8	600	984	70	200	102	7950
OM-HV-560-8	1120	1500	990	95.8	84.0	133.9	121.8	600	1102	70	200	110	8250
OM-HV-560-8	1250	1680	990	95.0	84.0	149.2	135.6	600	1230	70	200	118	8550
OM-HV-400-8	160	215	738	92.9	76.0	21.8	19.8	550	211	80	200	15	3000
OM-HV-400-8	185	250	738	93.1	76.0	25.2	22.9	550	244	80	200	16	3100
OM-HV-400-8	200	270	738	93.3	77.0	26.8	24.4	550	264	80	200	18	3200
OM-HV-400-8	220	295	738	93.4	77.0	29.4	26.8	550	290	80	200	20	3300
OM-HV-450-8	250	335	740	93.5	78.0	33.0	30.0	550	329	80	200	28	3500
OM-HV-450-8	280	375	740	93.7	78.0	36.9	33.5	550	369	80	200	30	3600
OM-HV-450-8	315	420	740	93.9	78.0	41.4	37.6	550	415	80	200	32	3700
OM-HV-450-8	355	475	740	94.0	78.0	46.6	42.4	550	467	80	200	34	3820
OM-HV-500-8	400	535	742	94.2	79.0	51.7	47.0	550	525	80	200	54	5250
OM-HV-500-8	450	605	742	94.3	79.0	58.1	52.8	550	591	80	200	58	5490
OM-HV-500-8	500	670	742	94.8	80.0	63.4	57.7	550	657	80	200	62	5750
OM-HV-500-8	560	750	742	94.9	80.0	71.0	64.5	550	735	80	200	66	6020
OM-HV-560-8	630	845	745	95.0	81.0	78.8	71.6	550	824	70	200	96	7000
OM-HV-560-8	710	950	745	95.0	81.0	88.8	80.7	550	929	70	200	105	7350
OM-HV-560-8	800	1070	745	95.2	81.0	99.8	90.8	550	1046	70	200	110	7700
OM-HV-560-8	800	1210	745	95.3	81.0	112.2	102.0	550	1177	70	200	116	8100

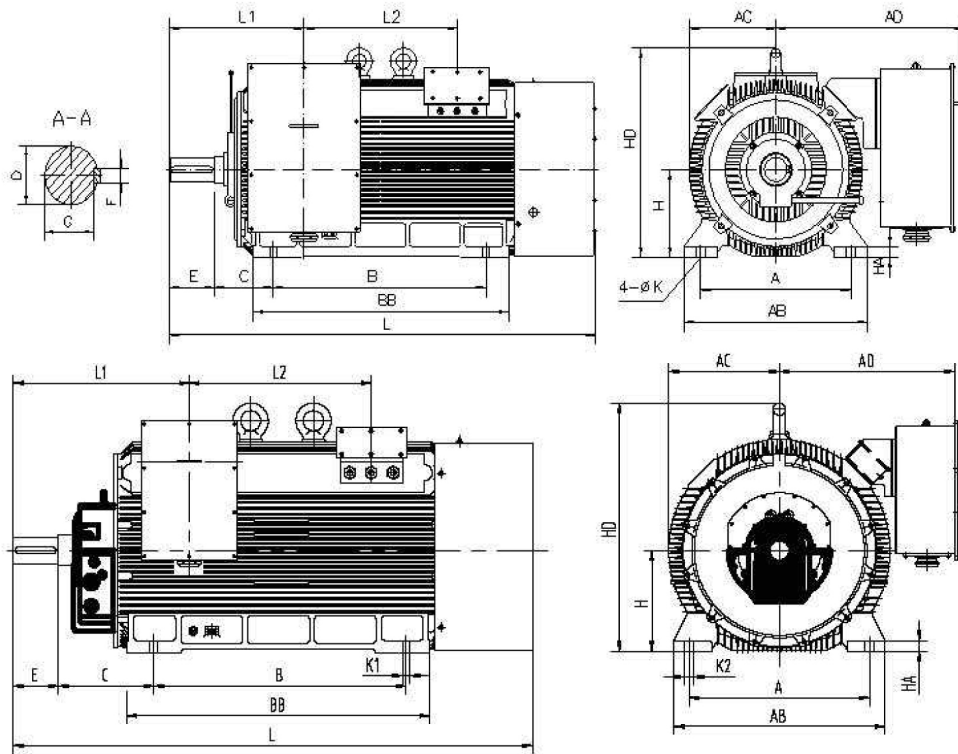
Technical data (10KV / 11KV)

Motor Type	Rated Power		Rated Speed	Efficiency	Power Factor	Current			Torque			Moment of Inertia J kgm ²	Approx Wt. Kg
	KW	HP	RPM	%	Cos Ø	Full Load 10KV	Full Load 11KV	Locked Rotor	Full Load	Locked Rotor	Pull out		
						A	A	% FLC	Kg-m	% FLT	% FLT		
OM-HV-400-2	220	295	2980	93.3	84	16.2	14.7	700	72	70	200	5.0	2900
OM-HV-400-2	250	335	2980	93.4	84	18.4	16.7	700	82	70	200	5.5	3000
OM-HV-400-2	280	375	2980	93.6	85	20.3	18.5	700	92	70	200	6.0	3100
OM-HV-400-2	315	420	2980	93.9	85	22.8	20.7	700	103	70	200	7.0	3200
OM-HV-450-2	355	475	2982	94.1	86	25.3	23.0	700	116	70	200	11	3500
OM-HV-450-2	400	535	2982	94.5	86	28.4	25.8	700	131	70	200	12	3600
OM-HV-450-2	450	605	2982	94.7	86	31.9	29.0	700	147	70	200	13	3700
OM-HV-450-2	500	670	2982	95.0	86	35.3	32.1	700	163	70	200	14	3850
OM-HV-500-2	560	750	2985	95.1	87	39.1	35.5	700	183	70	200	15	5500
OM-HV-500-2	630	845	2985	95.2	87	43.9	39.9	700	206	70	200	17	5780
OM-HV-500-2	710	950	2985	95.3	87	49.4	44.9	700	232	70	200	19	6050
OM-HV-500-2	800	1070	2985	95.6	88	54.9	49.9	700	261	70	200	21	6320
OM-HV-500-2	900	1210	2985	95.7	88	61.7	56.1	700	294	70	200	23	6600
OM-HV-560-2	900	1210	2985	95.7	88	61.7	56.1	700	294	70	200	26	8200
OM-HV-560-2	1000	1340	2985	95.8	88	68.5	62.3	700	327	70	200	30	8850
OM-HV-560-2	1120	1500	2985	95.9	88	76.6	69.6	700	366	70	200	34	9100
OM-HV-560-2	1250	1680	2985	96.1	89	84.4	76.7	700	408	70	200	30	9500
OM-HV-400-4	220	295	1482	93.7	84	16.1	14.7	650	145	80	200	11	3000
OM-HV-400-4	250	335	1482	93.8	84	18.3	16.7	650	164	80	200	12	3100
OM-HV-400-4	280	375	1482	93.9	84	20.5	18.6	650	184	80	200	13	3200
OM-HV-400-4	315	420	1482	94.1	84	23.0	20.9	650	207	80	200	14	3300
OM-HV-450-4	355	475	1485	94.3	85	25.6	23.2	650	233	80	200	20	3500
OM-HV-450-4	400	535	1485	94.4	85	28.8	26.2	650	262	80	200	22	3600
OM-HV-450-4	450	605	1485	94.6	85	32.3	29.4	650	295	80	200	24	3700
OM-HV-450-4	500	670	1485	94.8	86	35.4	32.2	650	328	80	200	26	3800
OM-HV-450-4	560	750	1485	95.0	86	39.6	36.0	650	367	80	200	28	3950
OM-HV-500-4	630	845	1488	95.2	86	44.4	40.4	650	413	80	200	41	5820
OM-HV-500-4	710	950	1488	95.4	86	50.0	45.4	650	465	80	200	44	6100
OM-HV-500-4	800	1070	1488	95.5	87	55.6	50.5	650	524	80	200	47	6280

Technical data (10KV / 11KV)

Motor Type	Rated Power		Rated Speed	Efficiency	Power Factor	Current			Torque			Moment of Inertia J kgm ²	Approx Wt. Kg
	KW	HP	RPM	%	Cos Ø	Full Load 10KV	Full Load 11KV	Locked Rotor	Full Load	Locked Rotor	Pull out		
						A	A	% FLC	Kg-m	% FLT	% FLT		
OM-HV-500-4	900	1210	1488	95.6	87	62.5	56.8	650	589	80	200	50	6420
OM-HV-560-4	1000	1340	1488	95.7	86	70.2	63.8	650	655	70	200	70	8020
OM-HV-560-4	1120	1500	1488	95.8	86	78.5	71.4	650	733	70	200	74	8390
OM-HV-560-4	1250	1680	1488	96.0	87	86.4	78.6	650	819	70	200	78	8750
OM-HV-560-4	1400	1880	1488	96.0	87	96.8	88.0	650	917	70	200	82	9100
OM-HV-450-6	220	295	985	93.5	82	16.6	15.1	600	218	80	200	26	3400
OM-HV-450-6	250	335	985	93.7	82	18.8	17.1	600	247	80	200	28	3500
OM-HV-450-6	280	375	985	93.9	82	21.0	19.1	600	277	80	200	30	3600
OM-HV-450-6	315	420	985	94.2	82	23.5	21.4	600	312	80	200	32	3700
OM-HV-450-6	355	475	985	94.4	82	26.5	24.1	600	351	80	200	34	3820
OM-HV-500-6	400	535	985	94.4	83	29.5	26.8	600	396	80	200	50	5450
OM-HV-500-6	450	605	988	94.7	83	33.1	30.0	600	444	80	200	54	5610
OM-HV-500-6	500	670	988	95.0	83	36.6	33.3	600	493	80	200	58	5790
OM-HV-500-6	560	750	990	95.1	83	41.0	37.2	600	551	80	200	62	6010
OM-HV-500-6	630	845	990	95.2	83	46.0	41.8	600	620	80	200	66	6230
OM-HV-560-6	710	950	992	95.4	83	51.8	47.1	600	697	70	200	87	7400
OM-HV-560-6	800	1070	992	95.5	83	58.3	53.0	600	788	70	200	94	7650
OM-HV-560-6	900	1210	992	95.6	84	64.7	58.8	600	884	70	200	102	7950
OM-HV-560-6	1000	1340	992	95.7	84	71.8	65.3	600	982	70	200	110	8250
OM-HV-560-6	1120	1500	992	95.8	84	80.4	73.1	600	1100	70	200	118	8550
OM-HV-450-8	220	295	740	93.4	78	17.4	15.9	550	290	80	200	30	3600
OM-HV-450-8	250	335	740	93.5	78	19.8	18.0	550	329	80	200	32	3700
OM-HV-450-8	280	375	740	93.7	78	22.1	20.1	550	369	80	200	34	3820
OM-HV-500-8	315	420	742	93.9	78	24.8	22.6	550	414	80	200	54	5250
OM-HV-500-8	355	475	742	94.0	78	28.0	25.4	550	466	80	200	58	5490
OM-HV-500-8	400	535	742	94.2	79	31.0	28.2	550	525	80	200	62	5750
OM-HV-500-8	450	605	742	94.3	79	34.9	31.7	550	591	80	200	66	6020
OM-HV-560-8	500	670	745	94.8	80	38.1	34.6	550	654	70	200	88	6650
OM-HV-560-8	560	750	745	94.5	80	42.6	38.7	550	733	70	200	96	7000
OM-HV-560-8	630	845	745	95.0	81	47.3	43.0	550	824	70	200	105	7350
OM-HV-560-8	710	950	745	95.0	81	53.3	48.4	550	929	70	200	110	7700
OM-HV-560-8	800	1070	745	95.2	81	59.9	54.5	550	1046	70	200	116	8100

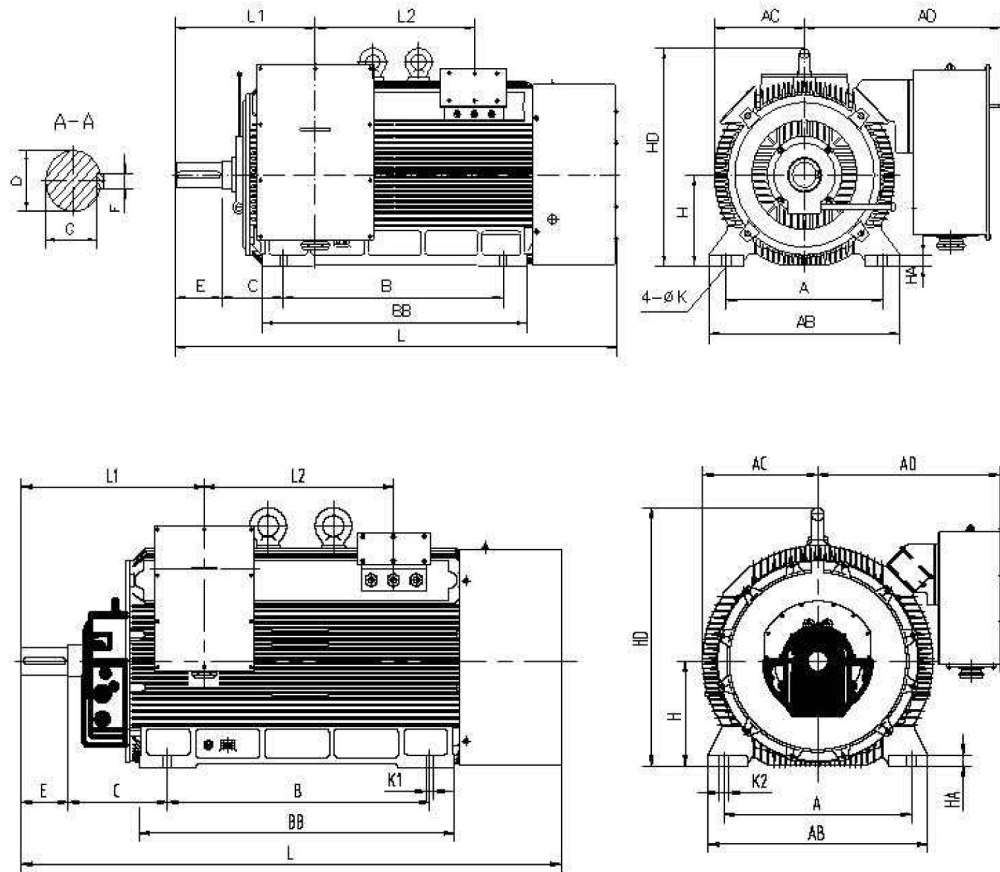
Outline & Installation Dimensions



Drawing - H500-2, H560-2

Frame Size	Pole	Installation Dimension														
		A	B	C	D	E	F	G	H	K1	K2					
355	2	630±1.4	900±1.4	254±4	75	+0.035 +0.013	140±0.6	20	⁰ -0.052	87.5	⁰ -0.02	355	⁰ -1	28	+0.52 0	36
355	4~6	630±1.4	900±1.4	254±4	100	+0.035 +0.013	210±0.57	28	⁰ -0.052	90	⁰ -0.02	355	⁰ -1	28	+0.52 0	36
400	2	710±1.76	1000±1.75	280±4	85	+0.035 +0.013	170±0.6	22	⁰ -0.052	76	⁰ -0.02	400	⁰ -1	35	+0.62 0	42
400	4~8	710±1.75	1000±1.75	280±4	110	+0.035 +0.013	210±0.57	28	⁰ -0.052	100	⁰ -0.02	400	⁰ -1	35	+0.62 0	42
450	2	800±1.75	1120±1.75	280±4	95	+0.035 +0.013	170±0.5	25	⁰ -0.052	86	⁰ -0.02	450	⁰ -1	35	+0.62 0	42
450	4	800±1.75	1120±1.75	280±4	120	+0.035 +0.013	210±0.57	32	⁰ -0.052	109	⁰ -0.02	450	⁰ -1	35	+0.62 0	42
450	6~8	800±1.75	1120±1.75	280±4	130	+0.04 +0.015	250±0.57	32	⁰ -0.052	119	⁰ -0.02	450	⁰ -1	35	+0.62 0	42
500	2	900±2.1	1250±2.1	480±4	110	+0.035 +0.013	210±0.57	28	⁰ -0.052	100	⁰ -0.02	500	⁰ -1	35	+0.62 0	52
500	4	900±2.1	1250±2.1	315±4	130	+0.04 +0.015	250±0.57	32	⁰ -0.062	119	⁰ -0.02	500	⁰ -1	42	+0.62 0	52
500	6~8	900±2.1	1250±2.1	315±4	140	+0.04 +0.015	250±0.57	36	⁰ -0.062	128	⁰ -0.03	500	⁰ -1	42	+0.62 0	52
560	2	1000±2.1	1400±2.1	530±4	130	+0.04 +0.015	250±0.57	32	⁰ -0.060	119	⁰ -0.02	560	⁰ -1	42	+0.62 0	52
560	4	1000±2.1	1400±2.1	355±4	150	+0.04 +0.015	250±0.57	36	⁰ -0.062	138	⁰ -0.03	560	⁰ -1	42	+0.62 0	52
560	6~8	1000±2.1	1400±2.1	355±4	160	+0.04 +0.015	300±0.57	40	⁰ -0.062	147	⁰ -0.03	560	⁰ -1	42	+0.62 0	52

Outline and Installation Dimensions



Drawing H500-2. H560-2

Frame Size	Pole	Installation Dimension								
		AC	AD	AB	BB	HA	HD	L1	L2	L
355	2	370	780	780	1110	50	830	514	680	1740
355	4~8	370	780	780	1110	50	830	584	680	1830
400	2	420	800	870	1200	50	860	656	600	2020
400	4~8	420	800	870	1200	50	960	696	600	2080
450	2	450	830	950	1340	50	1070	651	785	2160
450	4	450	830	950	1340	50	1070	691	785	2180
450	8~8	450	830	950	1340	50	1070	731	785	2220
500	2	525	880	1080	1490	50	1220	950	785	2500
500	4~8	525	880	1080	1490	50	1220	829	785	2410
560	2	605	1050	1170	1680	60	1480	977	1010	2700
560	4	605	1050	1170	1680	60	1480	802	1010	2650
560	6~8	605	1050	1170	1680	60	1480	852	1010	2650

MEDIUM & HIGH VOLTAGE MOTORS WITH FABRICATED FRAME (IP23)

Technical characteristics



Protection : IP23

Cooling IC01 or IC81W

Mounting B3/B35/V10

Insulation Class F, Temperature rise Class B

Duty S1

Voltage 6,600V & 11,000V Standard others on Request

Frequency : 50HZ or 60 HZ or specified

Power Range : 185 – 3150 KW

Fulfill IE3, and IE4 on Request

According JB/T10444-2014

Altitude ratings at 1000 meters, other design altitudes on request

Ambient temperature : -20 - +40degree C

Voltage $\pm 5\%$, Frequency $\pm 2\%$, Voltage and Frequency $\pm 5\%$

Fabricated Frame

A regreasing device with lubricating nipple (no stop lubrication)

Bearing / winding PT100 or PTC, anti-condensation heaters can be an option.

Stator winding with VPI process is equipped with good electrical performance and moisture proof.

Technical data (6KV / 6.6KV)

Motor Type	Rated Power		Rated Speed	Efficiency	Power Factor	Current			Torque			Moment of Inertia J	Approx Wt.
	KW	HP				RPM	%	Cos Ø	Full Load 6KV	Full Load 6.6KV	Locked Rotor		
			A	A	% FLC				Kg-m	% FLT	% FLT	kgm2	Kg
YX355-2	220	295	2975	93.3	86	26.1	23.8	700	72	60	180	3.4	2180
YX355-2	250	335	2975	93.4	86	29.7	27.0	700	82	60	180	3.5	2230
YX355-2	280	375	2975	93.6	86	33.2	30.2	700	92	60	180	3.7	2290
YX355-2	315	420	2975	93.9	86	37.3	33.9	700	103	60	180	4.0	2350
YX355-2	355	475	2975	94.1	86	41.9	38.1	700	116	60	180	4.1	2410
YX355-2	400	535	2975	94.5	86	47.0	42.7	700	131	60	180	4.4	2480
YX400-2	450	605	2980	94.7	86	52.8	48.0	700	147	60	180	5.1	2620
YX400-2	500	670	2980	95.0	87	57.8	52.6	700	164	60	180	5.2	2750
YX400-2	560	750	2980	95.1	87	64.7	58.8	700	183	60	180	5.4	2880
YX400-2	630	845	2980	95.2	87	72.7	66.1	700	206	60	180	5.8	3020
YX450-2	710	950	2980	95.3	87	81.9	74.4	700	232	60	180	11.0	3560
YX450-2	800	1070	2980	95.6	87	92.1	83.7	700	262	60	180	11.5	3690
YX450-2	900	1210	2980	95.7	87	103.5	94.1	700	294	60	180	12.0	3830
YX450-2	1000	1340	2980	95.8	88	113.6	103.2	700	327	60	180	12.6	4050
YX500-2	1120	1500	2980	95.9	88	127.0	115.5	700	366	60	180	16	4550
YX500-2	1250	1680	2980	96.1	88	141.6	128.8	700	409	60	180	17	4800
YX500-2	1400	1880	2880	96.2	88	158.5	144.1	700	458	60	180	19	4980
YX500-2	1600	2140	2980	96.3	88	180.9	164.5	700	523	60	180	21	5250
YX560-2	1800	2410	2980	96.3	88	203.5	185.5	700	589	60	180	40	5960
YX560-2	2000	2680	2980	96.5	88	225.9	205.4	700	654	60	180	47	6200
YX560-2	2240	3000	2980	96.6	88	252.8	229.8	700	733	60	180	54	6450
YX630-2	2500	3350	2982	96.6	89	279.0	253.6	700	817	60	180	70	7800
YX630-2	2800	3750	2982	96.7	89	312.1	283.7	700	915	60	180	88	8100
YX630-2	3150	4220	2982	96.8	89	351.1	319.2	700	1029	60	180	96	8400
YX355-4	185	250	1485	93.5	85	22.2	20.2	650	121	80	180	4.8	1550
YX355-4	200	270	1485	93.6	85	24.0	21.8	650	131	80	180	4.9	1620
YX355-4	220	295	1485	93.7	85	26.3	23.9	650	144	80	180	5.0	1750
YX355-4	250	335	1485	93.8	85	29.9	27.2	650	164	80	180	5.4	1880
YX355-4	280	375	1485	93.9	86	33.1	30.1	650	184	80	180	5.9	2050

Technical data (6KV / 6.6KV)

Motor Type	Rated Power		Rated Speed	Efficiency	Power Factor	Current			Torque			Moment of Inertia J kgm ²	Approx Wt. Kg
	KW	HP	RPM	%	Cos Ø	Full Load 6KV	Full Load 6.6KV	Locked Rotor	Full Load	Locked Rotor	Pull out		
						A	A	% FLC	Kg-m	% FLT	% FLT		
YX355-4	315	420	1485	94.1	886	37.2	33.8	650	207	80	180	6.7	2200
YX400-4	355	475	1485	94.3	86	41.8	38.0	650	233	80	180	12.0	2520
YX400-4	400	535	1485	94.4	86	47.1	42.8	650	262	80	180	12.5	2680
YX400-4	450	605	1485	94.6	86	52.8	48.0	650	295	80	180	13.0	2850
YX400-4	500	670	1485	94.8	87	58.8	52.7	650	328	80	180	13.5	3000
YX400-4	560	750	1485	95.0	87	64.8	58.9	650	367	80	180	14.0	3180
YX450-4	630	845	1485	95.2	87	72.7	66.1	650	413	80	180	18.0	3350
YX450-4	710	950	1485	95.4	87	81.8	74.4	650	466	80	180	19.0	3450
YX450-4	800	1070	1485	95.5	87	92.2	83.8	650	525	80	180	20.0	3700
YX450-4	900	1210	1485	95.6	87	103.6	94.2	650	591	80	180	22.0	3920
YX500-4	1000	1340	1485	95.7	87	115.0	104.5	650	656	70	180	26	4580
YX500-4	1120	1500	1485	95.8	88	127.2	115.6	650	735	70	180	29	4700
YX500-4	1250	1680	1485	96.0	88	141.8	128.9	650	820	70	180	32	4880
YX500-4	1400	1880	1485	96.0	88	158.8	144.4	650	919	70	180	34	5020
YX560-4	1600	2140	1485	96.1	89	179.1	162.8	650	1050	60	180	52	6020
YX560-4	1800	2410	1485	96.2	89	201.3	183.0	650	1181	60	180	55	6280
YX560-4	2000	2680	1485	96.4	89	223.4	203.1	650	1312	60	180	60	6500
YX630-4	2240	3000	1492	96.5	89	249.9	227.2	650	1463	60	180	108	7450
YX630-4	2500	3350	1492	96.6	89	278.7	253.3	650	1633	60	180	115	7780
YX630-4	2800	3750	1493	96.6	89	312.1	283.7	650	1828	60	180	130	8120
YX355-6	185	250	985	93.3	82	23.1	21.0	600	183	80	180	9.4	1820
YX355-6	200	270	985	93.4	82	24.9	22.7	600	198	80	180	9.5	1920
YX355-6	220	295	985	93.5	82	27.4	24.9	600	218	80	180	10.0	2050
YX355-6	250	335	985	93.7	82	31.0	28.2	600	247	80	180	10.5	2150
YX400-6	280	375	985	93.9	83	34.3	31.2	600	277	80	180	17.0	2800
YX400-6	315	420	985	94.2	83	38.5	35.0	600	312	80	180	18.0	2900
YX400-6	355	475	985	94.4	83	43.3	39.3	600	351	80	180	19.0	2950
YX400-6	400	535	985	94.4	83	49.8	44.3	600	396	80	180	20.0	3250
YX450-6	450	605	990	94.7	84	54.0	49.1	600	443	80	180	26	3460

Technical data (6KV / 6.6KV)

Motor Type	Rated Power		Rated Speed	Efficiency	Power Factor	Current			Torque			Moment of Inertia J	Approx Wt.
	KW	HP				RPM	%	Cos Ø	Full Load 6KV	Full Load 6.6KV	Locked Rotor		
			A	A	% FLC				Kg-m	% FLT	% FLT	kgm2	Kg
YX450-6	500	670	990	95.0	85	59.2	53.8	600	492	80	180	27	3590
YX450-6	560	750	990	95.1	85	66.2	60.2	600	551	80	180	29	3720
YX450-6	630	845	990	95.2	85	74.4	67.7	600	620	80	180	30	3850
YX500-6	710	950	990	95.4	85	84.7	76.1	600	699	70	180	39	4200
YX500-6	800	1070	990	95.5	85	94.3	85.8	600	787	70	180	42	4350
YX500-6	900	1210	990	95.6	85	106.0	96.4	600	886	70	180	45	4500
YX500-6	1000	1340	990	95.7	85	117.7	107.0	600	984	70	180	47	4650
YX560-6	1120	1500	991	95.8	86	130.1	118.3	650	1101	70	180	63	5350
YX560-6	1250	1680	991	96.0	86	145.1	131.9	650	1229	70	180	70	5610
YX560-6	1400	1880	991	96.0	86	162.5	147.7	650	1377	70	180	74	5850
YX630-6	1600	2140	993	96.1	86	185.5	168.7	650	1570	70	180	128	7300
YX630-6	1800	2410	994	96.2	86	208.5	189.5	650	1765	70	180	136	7620
YX630-6	2000	2680	994	96.4	86	231.4	210.4	650	1961	70	180	143	7980
YX400-8	220	295	740	93.4	78	28.8	26.2	550	290	70	180	21.0	2620
YX400-8	250	335	740	93.5	79	32.6	29.6	550	329	80	180	22.0	2850
YX400-8	280	375	740	93.7	79	32.3	32.8	550	369	80	180	23.0	3220
YX450-8	315	420	740	93.9	80	40.1	36.4	550	415	80	180	28	3020
YX450-8	355	475	740	94.0	80	45.1	41.0	550	467	80	180	30	3220
YX450-8	400	535	740	94.2	80	50.7	46.1	550	527	80	180	32	3450
YX450-8	450	605	740	94.3	81	56.3	51.2	550	593	80	180	34	3520
YX500-8	500	670	740	94.8	81	62.3	56.6	550	658	80	180	43	4550
YX500-8	560	750	740	94.9	82	68.8	62.6	550	737	80	180	46	4700
YX500-8	630	845	740	95.0	82	77.3	70.3	550	830	80	180	50	4880
YX500-8	710	950	740	95.0	82	87.2	79.2	550	935	80	180	53	5020
YX560-8	800	1070	740	95.2	84	95.8	87.1	600	1054	70	180	83	5550
YX560-8	900	1210	740	95.3	84	107.6	97.8	600	1185	70	180	90	5780
YX560-8	1000	1340	740	95.4	84	119.5	108.6	600	1371	70	180	96	6050
YX630-8	1120	1500	744	95.5	84	133.6	121.5	600	1467	70	180	138	7650
YX630-8	1250	1680	744	95.6	84	149.2	135.6	600	1637	70	180	144	8000

Technical data (6KV / 6.6KV)

Motor Type	Rated Power		Rated Speed	Efficiency	Power Factor	Current			Torque			Moment of Inertia J kgm ²	Approx Wt. Kg
	KW	HP	RPM	%	Cos Ø	Full Load 6KV	Full Load 6.6KV	Locked Rotor	Full Load	Locked Rotor	Pull out		
						A	A	% FLC	Kg-m	% FLT	% FLT		
YX630-8	1400	1880	744	95.7	84	166.1	151.7	600	1834	70	180	156	8320
YX630-8	1600	2140	744	95.8	84	190.5	173.2	600	2096	70	180	166	8620
YX450-10	220	295	590	92.8	77	29.4	26.7	550	363	80	180	28	2900
YX450-10	250	335	590	92.9	78	32.9	29.9	550	413	80	180	30	3000
YX450-10	280	375	590	93.1	78	36.9	33.4	550	462	80	180	32	3220
YX450-10	315	420	590	93.3	79	40.8	37.1	550	520	80	180	34	3300
YX450-10	355	475	590	93.5	79	45.4	46.2	550	586	80	180	36	3380
YX500-10	400	535	590	93.9	80	50.9	46.2	550	661	80	180	52	4270
YX500-10	450	605	590	93.9	80	57.2	52.0	550	743	80	180	56	4420
YX500-10	500	670	590	94.2	80	63.4	57.7	550	826	80	180	60	4620
YX500-10	560	750	590	94.3	80	71.0	64.5	550	925	80	180	65	4830
YX500-10	630	845	590	94.4	80	79.8	72.5	550	1041	80	180	68	5050
YX560-10	710	950	590	94.5	82	87.6	79.6	600	1173	70	180	99	5630
YX560-10	800	1070	590	94.8	82	98.5	89.6	600	1321	70	180	105	5870
YX560-10	900	1210	590	94.9	82	110.7	100.6	600	1487	70	180	115	6120
YX630-10	1000	1340	594	95.0	82	122.9	111.7	600	1641	70	180	151	7650
YX630-10	1120	1500	594	95.1	82	137.5	125.0	600	1837	70	180	160	8030
YX630-10	1250	1680	594	95.4	82	153.1	139.2	600	2051	70	180	174	8390
YX630-10	1400	1880	594	95.5	82	171.3	155.7	600	2297	70	180	189	8680
YX450-12	220	295	490	92.2	73	31.2	28.3	550	439	80	180	40	3400
YX450-12	250	335	490	92.4	73	35.4	32.1	550	497	80	180	42	3650
YX500-12	280	375	490	93.3	74	38.7	35.2	550	557	80	180	49	4100
YX500-12	315	420	490	93.5	75	43.9	39.0	550	626	80	180	53	4220
YX500-12	355	475	490	93.6	75	48.3	43.9	550	706	80	180	57	4370
YX500-12	400	535	490	93.9	75	54.3	49.3	550	796	80	180	62	4540
YX500-12	450	605	490	93.9	75	61.0	55.5	550	895	80	180	69	4720
YX560-12	500	670	490	94.3	79	64.2	58.3	600	994	70	180	97	5510
YX560-12	560	750	490	94.4	79	71.8	65.3	600	1114	70	180	108	5720
YX560-12	630	845	490	94.5	79	80.7	73.4	600	1253	70	180	114	5980
YX630-12	710	950	494	94.5	79	90.9	82.7	600	1401	70	180	172	7630
YX630-12	800	1070	494	94.8	79	102.3	93.0	600	1578	70	180	183	7960
YX630-12	900	1210	494	94.9	79	114.9	104.5	600	1775	70	180	198	8290
YX630-12	1000	1340	494	95.0	79	127.5	116.0	600	1973	70	180	212	8570

Technical data (10KV / 11KV)

Motor Type	Rated Power		Rated Speed	Efficiency	Power Factor	Current			Torque			Moment of Inertia J kgm ²	Approx Wt. Kg
	KW	HP	RPM	%	Cos Ø	Full Load 10KV	Full Load 11KV	Locked Rotor	Full Load	Locked Rotor	Pull out		
						A	A	% FLC	Kg-m	% FLT	% FLT		
YX400-2	220	295	2980	93.3	85	15.8	14.4	750	72	60	180	5.1	2410
YX400-2	250	335	2980	93.4	85	18.0	16.3	750	82	60	180	5.2	2530
YX400-2	280	375	2980	93.6	85	20.1	18.3	750	92	60	180	5.4	2650
YX400-2	315	420	2980	93.9	85	22.6	20.5	750	103	60	180	5.8	2780
YX450-2	355	475	2980	94.3	87	24.8	22.5	700	116	60	180	9.5	3450
YX450-2	400	535	2980	94.5	87	27.9	25.3	700	131	60	180	10.0	3520
YX450-2	450	605	2980	94.7	87	31.3	28.5	700	147	60	180	10.5	3600
YX450-2	500	670	2980	94.9	87	34.7	31.6	700	164	60	180	11.0	3700
YX450-2	560	750	2980	95.0	87	38.9	35.3	700	183	60	180	11.5	3840
YX450-2	630	845	2980	95.0	87	43.7	39.8	700	206	60	180	12.0	3980
YX500-2	710	950	2980	95.1	88	48.7	44.3	700	232	60	180	16	4450
YX500-2	800	1070	2980	95.3	88	54.8	49.8	700	262	60	180	17	4620
YX500-2	900	1210	2980	95.4	88	61.6	56.0	700	294	60	180	18	4800
YX500-2	1000	1340	2980	95.5	88	68.3	62.1	700	327	60	180	19	4980
YX500-2	1120	1500	2980	95.6	88	76.5	69.5	700	366	60	180	20	5250
YX560-2	1250	1680	2980	95.9	89	84.2	76.6	700	409	60	180	40	5960
YX560-2	1400	1880	2980	96.0	89	94.2	85.6	700	458	60	180	47	6200
YX560-2	1600	2140	2980	96.0	89	107.7	97.9	700	523	60	180	54	6450
YX630-2	1800	2410	2982	96.1	90	119.7	108.8	700	588	60	180	70	7800
YX630-2	2000	2680	2982	96.3	90	133.8	120.7	700	654	60	180	88	8100
YX630-2	2240	3000	2982	96.5	90	148.5	135.0	700	732	60	180	96	8400
YX400-4	220	295	1480	93.3	83	16.3	14.8	700	145	70	80	11.5	2390
YX400-4	250	335	1480	93.4	83	18.5	16.8	700	165	70	80	12.0	2520
YX400-4	280	375	1480	93.5	83	20.7	18.8	700	184	70	80	12.5	2680
YX400-4	315	420	1480	93.8	83	23.2	21.1	700	207	70	80	13.0	2850
YX450-4	355	475	1485	93.9	86	25.2	22.9	700	233	70	80	17.0	3420
YX450-4	400	535	1485	94.0	86	28.4	26.0	700	262	70	80	17.5	3500
YX450-4	450	605	1485	94.4	86	31.8	28.9	700	295	70	80	18.0	3610
YX450-4	500	670	1485	94.5	86	35.3	32.1	700	328	70	80	19.0	3700
YX450-4	560	750	1485	94.7	86	39.5	35.9	700	367	70	80	20.0	3810
YX450-4	630	845	1485	94.9	86	44.3	40.3	700	413	70	80	22.0	3920

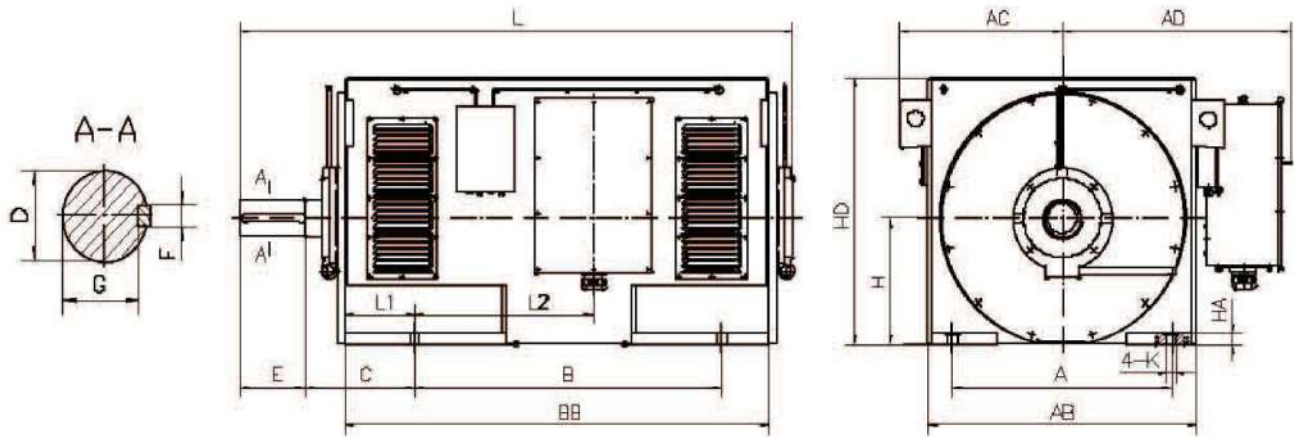
Technical data (10KV / 11KV)

Motor Type	Rated Power		Rated Speed	Efficiency	Power Factor	Current			Torque			Moment of Inertia J	Approx Wt.
	KW	HP				RPM	%	Cos Ø	Full Load 10KV	Full Load 11KV	Locked Rotor		
			A	A	% FLC				Kg-m	% FLT	% FLT	kgm2	Kg
YX500-4	710	950	1485	95.4	87	49.1	44.6	650	466	70	180	25.0	4480
YX500-4	800	1070	1485	95.5	87	55.3	50.3	650	525	70	180	26	4580
YX500-4	900	1210	1485	95.6	88	61.4	55.9	650	591	70	180	29	4700
YX500-4	1000	1340	1485	95.7	88	68.2	62.0	650	656	70	180	32	4880
YX500-4	1120	1500	1485	95.8	88	76.3	69.4	650	735	70	180	34	5020
YX560-4	1250	1680	1485	96.0	86	84.1	76.5	650	820	70	180	52	6020
YX560-4	1400	1880	1485	96.1	86	94.1	85.6	650	919	70	180	55	6280
YX560-4	1600	2140	1485	96.2	86	107.4	97.7	650	1050	70	180	60	6500
YX630-4	1800	2410	1492	96.3	86	120.8	109.8	650	1176	60	180	108	7450
YX630-4	2000	2680	1493	96.5	89	134.0	121.8	650	1305	60	180	115	7780
YX630-4	2240	3000	1493	96.6	89	150.0	136.3	650	1462	60	180	130	8120
YX450-6	315	420	990	93.5	82	23.5	21.4	600	310	80	180	26	3460
YX450-6	355	475	990	93.7	83	26.2	23.8	600	349	80	180	27	3590
YX450-6	400	535	990	93.9	83	29.4	26.7	600	394	80	180	29	3720
YX450-6	450	605	990	94.0	83	33.1	30.0	600	443	80	180	30	3850
YX500-6	500	670	995	94.5	83	36.6	33.2	600	490	70	180	39	4200
YX500-6	560	750	995	94.6	84	40.4	36.8	600	548	70	180	42	4350
YX500-6	630	845	995	94.9	84	45.3	41.2	600	617	70	180	45	4500
YX500-6	710	950	995	95.0	84	51.0	46.4	600	695	70	180	47	4650
YX500-6	800	1070	995	95.2	84	57.5	52.2	600	784	70	180	50	4920
YX560-6	900	1210	990	95.4	85	63.7	58.0	650	886	70	180	63	5350
YX560-6	1000	1340	990	95.5	85	70.8	64.3	650	984	70	180	70	5610
YX560-6	1120	1500	990	95.7	85	79.1	71.9	650	1102	70	180	78.0	5890
YX560-6	1250	1680	990	95.9	86	87.1	79.2	650	1230	70	180	81.5	6160
YX630-6	1400	1880	995	96.1	86	97.4	88.5	650	1371	70	180	128	7300
YX630-6	1800	2140	995	96.2	86	111.2	101.1	650	1567	70	180	136	7620
YX630-6	1800	2410	995	96.2	86	125.1	113.7	650	1763	70	180	143	7980
YX500-6	315	420	740	93.5	77	25.1	22.8	550	415	70	180	42	4350
YX500-6	355	475	740	93.7	77	28.2	25.6	550	467	70	180	44	4550
YX500-6	400	535	740	93.8	78	31.3	28.5	550	527	70	180	45	4700
YX500-6	450	605	740	93.9	78	35.2	32.0	550	593	70	180	50	4880
YX500-6	500	670	740	94.4	79	38.5	35.0	550	658	70	180	53	5020

Technical data (10KV / 11KV)

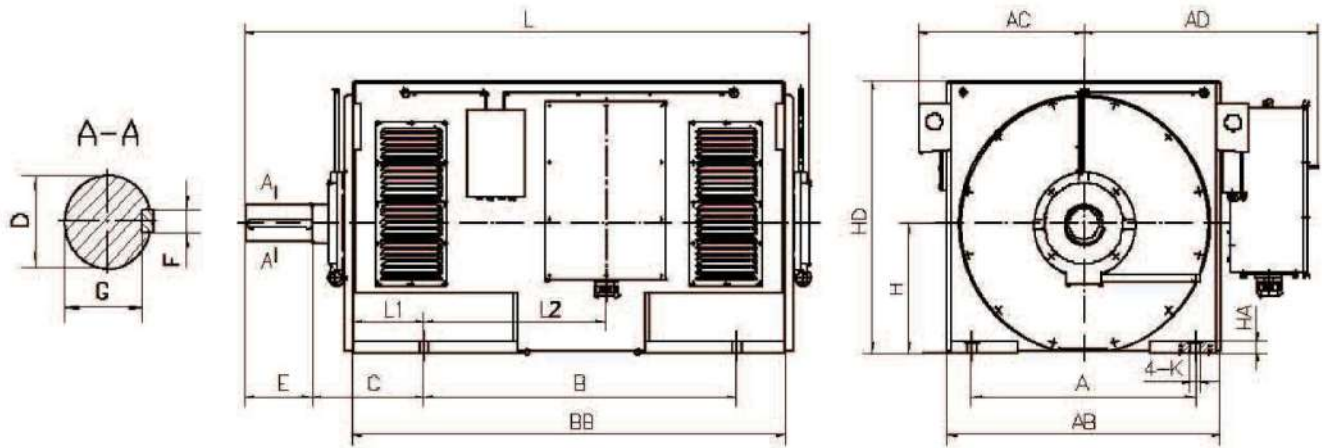
Motor Type	Rated Power		Rated Speed	Efficiency	Power Factor	Current			Torque			Moment of Inertia J	Approx Wt.
	KW	HP				RPM	%	Cos Ø	Full Load 10KV	Full Load 11KV	Locked Rotor		
			A	A	% FLC				Kg-m	% FLT	% FLT	kgm2	Kg
YX500-8	560	750	740	94.5	79	43.0	39.1	550	737	70	180	56	5240
YX560-8	630	845	740	94.9	82	46.4	42.2	600	830	70	180	83	5560
YX560-8	710	950	740	95.0	82	52.3	47.5	600	935	70	180	90	5780
YX560-8	800	1070	740	95.2	82	58.9	53.5	600	1054	70	180	96	6050
YX560-8	900	1210	740	95.3	82	66.1	60.1	600	1185	70	180	99	6280
YX630-8	1000	1340	744	95.5	83	72.5	65.9	600	1310	70	180	144	8000
YX630-8	1120	1500	744	95.6	83	81.1	73.7	600	1467	70	180	156	8320
YX630-8	1250	1680	745	95.8	83	90.4	82.2	600	1635	70	180	166	8620
YX500-10	250	335	595	92.74	74	20.8	18.9	550	409	70	180	52	4270
YX500-10	280	375	595	93.1	74	23.3	21.2	550	459	70	180	56	4420
YX500-10	315	420	595	93.4	74	26.1	23.8	550	516	70	180	60	4620
YX500-10	355	475	595	93.5	75	29.0	26.4	550	581	70	180	65	4830
YX500-10	400	535	595	93.6	75	32.7	29.7	550	655	70	180	68	5050
YX560-10	450	605	590	93.8	77	38.7	32.5	600	743	70	180	98	5390
YX560-10	500	670	590	94.0	77	39.6	36.0	600	826	70	180	99	5630
YX560-10	560	750	590	94.1	78	43.8	39.8	600	925	70	180	105	5870
YX560-10	630	845	590	94.3	78	49.1	44.7	600	1041	70	180	115	6120
YX560-10	710	950	590	94.5	78	55.3	50.2	600	1173	70	180	118	6370
YX630-10	800	1070	594	94.9	80	60.5	55.0	600	1312	70	180	174	7680
YX630-10	900	1210	593	95.1	80	67.9	61.8	600	1479	70	180	160	8030
YX630-10	1000	1340	593	95.1	80	75.5	68.6	600	1643	70	180	174	8390
YX630-10	1120	1500	593	95.2	80	84.5	76.8	600	1841	70	180	189	8680
YX560-12	315	420	490	93.1	73	26.6	24.2	600	626	70	180	95	5280
YX560-12	355	475	490	93.2	73	29.9	27.2	600	706	70	180	97	5510
YX560-12	400	535	490	93.4	73	33.6	30.8	600	796	70	180	108	5720
YX560-12	450	605	490	93.5	73	37.8	34.3	600	895	70	180	114	5980
YX560-12	500	670	490	93.9	73	41.8	38.0	600	994	70	180	126	8230
YX630-12	560	750	492	94.1	74	46.1	41.9	600	1109	70	180	172	7630
YX630-12	630	845	493	94.3	74	51.8	47.1	600	1245	70	180	183	7960
YX630-12	710	950	493	94.5	74	58.3	53.0	600	1403	70	180	198	8290
YX630-12	800	1070	492	94.8	74	65.5	59.5	600	1585	70	180	212	8570

Outline & Installation Dimensions (YX Series 6KV / 6.6KV)



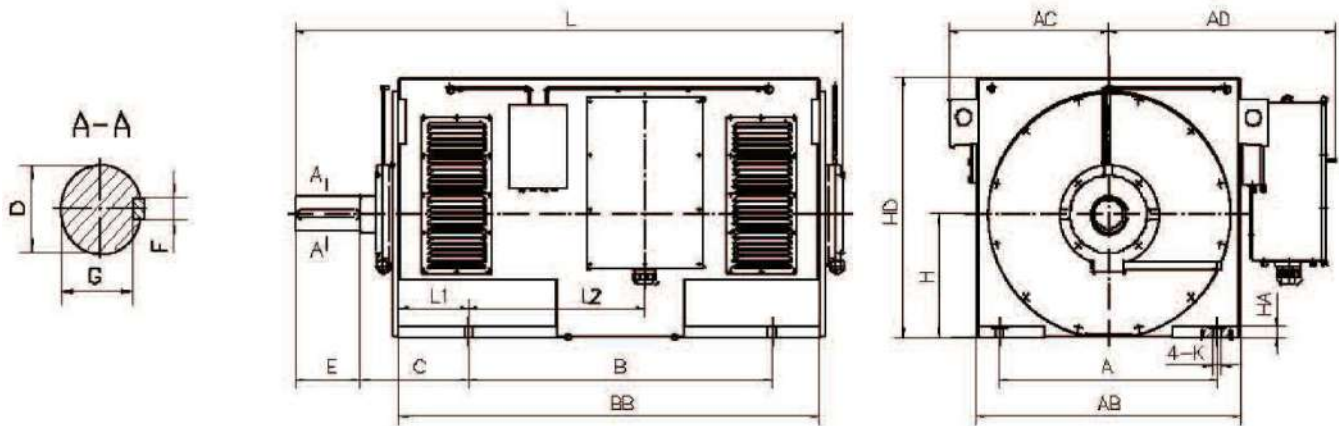
Frame Size	Pole	Installation Dimension													
		A	B	C	D		E	F		G	H		K1		
355	4	630±1.4	900±1.4	315±4	80	+0.035 +0.011	170±0.5	22	0 -0.052	71	0 -0.02	355	0 -1	28	+0.52 0
355	4~6	630±1.4	900±1.4	315±4	100	+0.035 +0.013	210±0.57	28	0 -0.052	90	0 -0.02	355	0 -1	28	+0.52 0
400	2	710±1.75	1000±1.75	375±4	90	+0.035 +0.013	170±0.6	25	0 -0.052	81	0 -0.02	400	0 -1	35	+0.62 0
400	4~8	710±1.75	1000±1.75	335±4	110	+0.035 +0.013	210±0.57	28	0 -0.052	100	0 -0.02	400	0 -1	35	+0.62 0
450	2	800±1.75	1120±1.75	400±4	100	+0.035 +0.013	210±0.57	28	0 -0.062	90	0 -0.02	450	0 -1	35	+0.62 0
450	4	800±1.75	1120±1.75	355±4	120	+0.035 +0.013	210±0.57	32	0 -0.062	109	0 -0.02	450	0 -1	35	+0.62 0
450	6~12	800±1.75	1120±1.75	355±4	130	+0.04 +0.015	250±0.57	32	0 -0.062	119	0 -0.02	450	0 -1	35	+0.62 0
500	2	900±2.1	1250±2.1	560±4	110	+0.035 +0.013	210±0.57	28	0 -0.062	100	0 -0.02	500	0 -1	35	+0.62 0
500	4	900±2.1	1250±2.1	475±4	130	+0.04 +0.015	250±0.57	32	0 -0.062	119	0 -0.02	500	0 -1	42	+0.62 0
500	6~10	900±2.1	1250±2.1	475±4	140	+0.04 +0.015	250±0.57	36	0 -0.062	128	0 -0.03	500	0 -1	42	+0.62 0
560	2	1000±2.1	1400±2.1	560±4	130	+0.04 +0.015	250±0.57	32	0 -0.060	119	0 -0.02	560	0 -1	42	+0.62 0
560	4	1000±2.1	1400±2.1	500±4	150	+0.04 +0.015	250±0.57	36	0 -0.062	138	0 -0.03	560	0 -1	42	+0.62 0
560	6~12	1000±2.1	1400±2.1	500±4	160	+0.04 +0.015	300±0.65	36	0 -0.062	147	0 -0.03	560	0 -1	42	+0.62 0
630	2	1200±2.1	1600±2.1	560±4	140	+0.04 +0.015	250±0.57	40	0 -0.060	128	0 -0.02	630	0 -1	48	+0.62 0
630	4	1200±2.1	1600±2.1	530±4	170	+0.04 +0.015	300±0.65	45	0 -0.062	157	0 -0.03	630	0 -1	48	+0.62 0
630	6~12	1200±2.1	1600±2.1	530±4	180	+0.04 +0.015	300±0.65	40	0 -0.062	165	0 -0.03	630	0 -1	48	+0.62 0

Outline & Installation Dimensions (YX Series 6KV / 6.6KV)



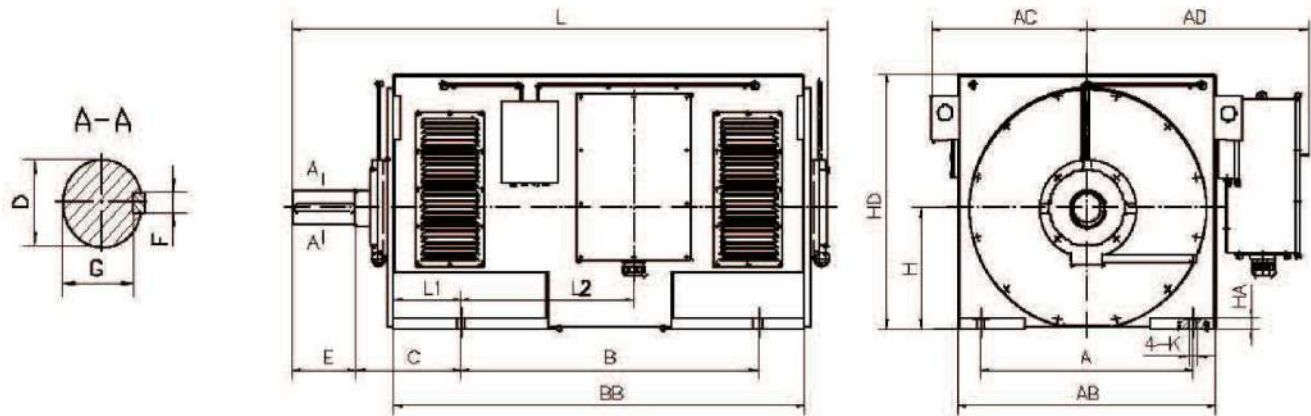
Frame Size	Pole	Installation Dimension								
		AC	AD	AB	BB	HA	HD	L1	L2	L
355	2	500	760	780	1350	25	760	189	561	1725
355	4~6	500	760	780	1400	25	760	189	617	1815
400	2	570	900	888	1450	30	850	249	606	1830
400	4~6	570	900	888	1510	30	850	209	626	2000
450	2	599	926	980	1530	40	960	255	515	1910
450	4	599	926	980	1638	32	960	242	657	2055
450	6~12	599	926	980	1638	32	960	242	657	2105
500	2	660	1115	1112	1720	50	1790	330	990	2370
500	4	660	1000	1112	1720	35	1065	310	669	2200
500	6~12	660	1000	1112	1720	35	1065	310	669	2200
560	2	740	1200	1216	1940	55	1920	270	1120	2650
560	4	740	1050	1216	1938	45	1185	320	815	2475
560	6~12	740	1050	1216	1938	45	1185	320	815	2525
630	2	850	1350	1396	2100	55	2200	265	1320	2950
630	4~12	825	1150	1396	2080	50	1307	365	685	2677

Outline & Installation Dimensions (YX Series 10KV / 11KV)



Frame Size	Pole	Installation Dimension													
		A	B	C	D		E	F		G	H		K1		
400	2	710±1.75	1000±1.75	375±4	80	+0.035 +0.011	170±0.5	22	0 -0.052	71	0 -0.02	400	0 -1	35	+0.62 0
400	4~8	710±1.75	1000±1.75	335±4	110	+0.030 +0.011	210±0.57	28	0 -0.052	100	0 -0.02	400	0 -1	35	+0.62 0
450	2	800±1.75	1120±1.75	400±4	90	+0.035 +0.013	170±0.57	25	0 -0.052	81	0 -0.02	450	0 -1	35	+0.62 0
450	4~8	800±1.75	1120±1.75	335±4	110	+0.035 +0.013	210±0.57	28	0 -0.052	100	0 -0.02	450	0 -1	35	+0.62 0
500	2	900±2.1	1250±2.1	560±4	100	+0.035 +0.013	210±0.57	28	0 -0.052	90	0 -0.02	500	0 -1	42	+0.62 0
500	4	900±2.1	1250±2.1	475±4	120	+0.035 +0.013	210±0.57	32	0 -0.062	109	0 -0.02	500	0 -1	42	+0.62 0
500	6~10	900±2.1	1250±2.1	475±4	130	+0.04 +0.015	250±0.57	32	0 -0.062	119	0 -0.02	500	0 -1	42	+0.62 0
560	2	1000±2.1	1400±2.1	560±4	130	+0.035 +0.013	250±0.57	32	0 -0.062	119	0 -0.02	560	0 -1	42	+0.62 0
560	4	1000±2.1	1400±2.1	500±4	150	+0.04 +0.015	250±0.57	36	0 -0.062	138	0 -0.02	560	0 -1	42	+0.62 0
560	6~12	1000±2.1	1400±2.1	500±4	160	+0.04 +0.015	300±0.65	40	0 -0.062	147	0 -0.03	560	0 -1	42	+0.62 0
630	2	1120±2.1	1600±2.1	560±4	140	+0.04 +0.015	250±0.57	36	0 -0.060	128	0 -0.03	630	0 -1	48	+0.62 0
630	4	1120±2.1	1600±2.1	530±4	170	+0.04 +0.015	300±0.65	40	0 -0.062	157	0 -0.03	630	0 -1	48	+0.62 0
630	6~12	1120±2.1	1600±2.1	530±4	180	+0.04 +0.015	300±0.65	45	0 -0.062	165	0 -0.03	630	0 -1	48	+0.62 0

Outline & Installation Dimensions (YX Series 10KV / 11KV)



Frame Size	Pole	Installation Dimension								
		AC	AD	AB	BB	HA	HD	L1	L2	L
400	2	570	900	900	1450	30	850	249	606	1830
400	4~6	570	900	900	1510	30	850	209	625	2000
450	2	600	926	980	1530	40	960	255	515	1910
450	4~8	600	926	980	1638	32	960	242	657	2055
500	2	660	1115	1112	1720	50	1790	330	990	2370
500	4	660	1000	1112	1720	35	1065	310	669	2160
500	6~12	660	1000	1112	1720	35	1065	310	669	2200
560	2	740	1200	1216	1940	55	1920	270	1120	2650
560	4	740	1050	1216	1938	45	1185	320	815	2475
560	6~12	740	1050	1216	1938	45	1185	320	815	2525
630	2	850	1350	1396	2100	55	2200	265	1320	2950
630	4~12	850	1150	1396	2080	50	1307	365	685	2677

YXKK HIGH VOLTAGE MOTORS (IP44 / IP54 / IP55)

Technical characteristics



Protection : IP44 / IP54 / IP55

Cooling IC611 or IC616 / IC666

Mounting B3/B35/V10

Insulation Class F, Temperature rise Class B

Duty S1

Voltage 6,600V & 11,000V Standard others on Request

Frequency : 50HZ or 60 HZ or specified

Power Range : 185 – 2500 KW

Fulfill IE3, and IE4 on Request

Altitude ratings at 1000 meters, other design altitudes on request

Ambient temperature : -20 - +40degree C

Air Humidity / temperature : month average highest 90% and average temperature no more than 25degree C

Voltage $\pm 5\%$, Frequency $\pm 2\%$, Voltage and Frequency $\pm 5\%$

Fabricated Frame

A regreasing device with lubricating nipple (no stop lubrication)

Bearing / winding PT100 or PTC, anti-condensation heaters can be an option.

Stator winding with VPI process is equipped with good electrical performance and moisture proof.

Technical data (6KV / 6.6KV)

Motor Type	Rated Power		Rated Speed	Efficiency	Power Factor	Current			Torque			Moment of Inertia J kgm2	Approx Wt. Kg
	KW	HP	RPM	%	Cos Ø	Full Load 6KV	Full Load 6.6KV	Locked Rotor	Full Load	Locked Rotor	Pull out		
						A	A	% FLC	Kg-m	% FLT	% FLT		
YXKK355-2	220	295	2975	93.1	85	26.8	24.3	700	72	60	180	3.5	2590
YXKK355-2	250	335	2975	93.2	85	30.4	27.6	700	82	60	180	3.8	2650
YXKK355-2	280	375	2975	93.4	85	33.9	30.9	700	92	60	180	4.0	2710
YXKK355-2	315	420	2975	93.7	85	38.1	34.6	700	103	60	180	4.3	2780
YXKK400-2	355	475	2980	93.9	86	42.3	38.5	700	116	60	180	5.2	3070
YXKK400-2	400	535	2980	94.2	86	47.5	43.2	700	131	60	180	5.5	3170
YXKK400-2	450	605	2980	94.4	86	53.3	48.5	700	147	60	180	5.8	3260
YXKK400-2	500	670	2980	94.7	86	59.1	53.7	700	164	60	180	6.2	3360
YXKK450-2	560	750	2980	94.9	86	66.0	60.0	700	183	60	180	9.0	4140
YXKK450-2	630	845	2980	95.0	87	73.3	66.7	700	206	60	180	11.0	4270
YXKK450-2	710	950	2980	95.1	87	82.6	75.1	700	232	60	180	13.0	4410
YXKK450-2	800	1070	2980	95.3	87	92.8	84.4	700	262	60	180	15.0	4530
YXKK500-2	900	1210	2980	95.5	87	104.2	94.8	700	294	60	180	17.0	5300
YXKK500-2	1000	1340	2980	95.5	87	115.8	105.3	700	327	60	180	19.0	5490
YXKK500-2	1120	1500	2980	95.6	87	129.6	117.8	700	366	60	180	21.0	5680
YXKK500-2	1250	1680	2980	95.8	87	144.3	131.2	700	409	60	180	23.0	5870
YXKK560-2	1400	1880	2980	95.9	88	159.6	145.1	700	458	60	180	39.0	6960
YXKK560-2	1600	2140	2980	96.0	88	182.2	165.7	700	523	60	180	44.0	7240
YXKK560-2	1800	2410	2980	96.0	88	205.0	186.4	700	589	60	180	51.0	7520
YXKK630-2	2000	2680	2982	96.2	88	227.3	206.7	700	654	60	180	70	9150
YXKK630-2	2240	3000	2982	96.3	88	254.4	231.2	700	732	60	180	78.0	9500
YXKK630-2	2500	3350	2982	96.4	88	283.6	257.8	700	817	60	180	85.0	9850
YXKK355-4	185	250	1485	93.3	85	22.4	20.4	650	121	70	180	4.7	2170
YXKK355-4	200	270	1480	93.4	85	24.2	22.0	650	132	70	180	4.8	2240
YXKK355-4	220	295	1480	93.5	85	26.6	24.2	650	145	70	180	5.0	2310
YXKK355-4	250	335	1480	96.6	85	30.2	27.5	650	165	70	180	5.7	2380
YXKK400-4	280	375	1485	93.7	86	33.4	30.4	650	184	70	180	12.0	2970
YXKK400-4	315	420	1485	93.8	86	37.6	34.2	650	207	70	180	12.0	3060
YXKK400-4	355	475	1485	94.0	86	42.3	38.4	650	233	70	180	13.0	3150

Technical data (6KV / 6.6KV)

Motor Type	Rated Power		Rated Speed	Efficiency	Power Factor	Current			Torque			Moment of Inertia J	Approx Wt.
	KW	HP				RPM	%	Cos Ø	Full Load 6KV	Full Load 6.6KV	Locked Rotor		
			A	A	% FLC				Kg-m	% FLT	% FLT	kgm2	Kg
YXKK400-4	400	535	1485	94.2	86	47.5	43.2	650	282	70	180	14.0	3240
YXKK400-4	450	605	1485	94.4	86	53.3	48.5	650	295	70	180	16.0	3330
YXKK450-4	500	670	1485	94.5	86	59.2	53.8	650	328	70	180	16.0	3950
YXKK450-4	560	750	1485	94.7	86	66.2	60.2	650	367	70	180	17.0	4080
YXKK450-4	630	845	1485	94.9	86	74.3	67.5	650	413	70	180	19.0	4210
YXKK450-4	710	950	1485	95.0	86	83.6	76.0	650	466	70	180	20.0	4350
YXKK500-4	800	1070	1485	95.3	87	92.8	84.4	650	525	70	180	29.0	5330
YXKK500-4	900	1210	1485	95.4	87	104.3	94.9	650	591	70	180	32.0	5520
YXKK500-4	1000	1340	1485	95.5	87	115.6	105.3	650	656	70	180	34.0	5710
YXKK500-4	1120	1500	1485	95.5	87	129.7	117.9	650	735	70	180	37.0	5900
YXKK560-4	1250	1680	1485	95.7	88	142.8	129.8	650	820	60	180	55.0	7020
YXKK560-4	1400	1880	1485	95.8	88	159.8	145.3	650	919	60	180	60.0	7300
YXKK560-4	1600	2140	1485	95.9	88	182.4	165.9	650	1050	60	180	65.0	7580
YXKK630-4	1800	2410	1485	96.0	88	205.0	186.4	650	1181	60	180	126.0	8800
YXKK630-4	2000	2680	1485	96.1	88	227.6	206.9	650	1312	60	180	140.0	9150
YXKK630-4	2240	3000	1485	96.2	88	254.6	231.5	650	1470	60	180	156.0	9580
YXKK400-6	185	250	990	93.0	82	23.3	21.2	600	182	70	180	13.0	3150
YXKK400-6	200	270	990	93.1	82	25.2	22.9	600	197	70	180	14.0	3240
YXKK400-6	220	295	990	93.3	82	27.7	25.2	600	217	70	180	15.0	3350
YXKK400-6	250	335	990	93.5	82	31.4	28.5	600	246	70	180	16.0	3440
YXKK400-6	280	375	990	93.8	82	35.0	31.8	600	276	70	180	16.0	3550
YXKK400-6	315	420	990	94.0	82	39.3	35.8	600	310	70	180	17.0	3660
YXKK450-6	355	475	985	94.2	83	43.7	39.7	600	351	70	180	24.0	4080
YXKK450-6	400	535	985	94.3	83	49.2	44.7	600	396	70	180	25.0	4210
YXKK450-6	450	605	985	94.5	83	55.2	50.2	600	445	70	180	26.0	4340
YXKK450-6	500	670	985	94.8	83	61.1	55.6	600	495	70	180	28.0	4480
YXKK500-6	560	750	990	94.9	84	67.6	61.5	600	551	70	180	42.0	4980
YXKK500-6	630	845	990	95.0	84	76.0	69.1	600	620	70	180	45.0	5170
YXKK500-6	710	950	990	95.2	84	85.4	77.7	600	699	70	180	47.0	5360

Technical data (6KV / 6.6KV)

Motor Type	Rated Power		Rated Speed	Efficiency	Power Factor	Current			Torque			Moment of Inertia J	Approx Wt.
	KW	HP				RPM	%	Cos Ø	Full Load 6KV	Full Load 6.6KV	Locked Rotor		
			A	A	% FLC				Kg-m	% FLT	% FLT	kgm2	Kg
YXKK500-6	800	1070	990	95.4	84	96.1	87.3	600	787	70	180	50.0	5550
YXKK560-6	900	1210	990	95.5	85	106.7	97.0	650	886	70	180	74.0	6350
YXKK560-6	1000	1340	990	95.5	85	118.5	107.8	650	984	70	180	79.0	6630
YXKK560-6	1120	1500	990	95.6	85	132.6	120.6	650	1102	70	180	85.0	6910
YXKK630-6	1250	1680	990	95.8	86	146.0	132.7	650	1230	70	180	140.0	8850
YXKK630-6	1400	1880	990	95.9	86	163.3	148.5	650	1378	70	180	151.0	9010
YXKK630-6	1600	2140	990	96.0	86	186.5	169.5	650	1575	70	180	164.0	9350
YXKK630-6	1800	2410	990	96.1	86	209.6	190.5	650	1772	70	180	164.0	9720
YXKK400-8	185	250	740	93.0	78	24.5	22.3	550	244	80	180	20.0	3230
YXKK400-8	200	270	740	93.2	78	26.5	24.1	550	263	80	180	20.0	3350
YXKK400-8	220	295	740	93.4	78	29.1	26.4	550	290	80	180	21.0	3490
YXKK450-8	250	335	740	93.5	79	32.6	29.6	550	329	80	180	25.0	3900
YXKK450-8	280	375	740	93.7	79	36.4	33.1	550	369	80	180	27.0	4110
YXKK450-8	315	420	740	93.9	79	40.9	37.1	550	415	80	180	29.0	4350
YXKK450-8	355	475	740	94.0	79	46.0	41.8	550	467	80	180	31.0	4610
YXKK500-8	400	535	740	94.2	80	51.1	46.4	550	527	80	180	46.0	4480
YXKK500-8	450	605	740	94.3	80	57.4	52.2	550	593	80	180	50.0	4570
YXKK500-8	500	670	740	94.7	80	63.5	57.7	550	658	80	180	53.0	4740
YXKK500-8	560	750	740	94.9	80	71.0	64.5	550	737	80	180	57.0	4930
YXKK560-8	630	845	740	95.0	82	77.8	70.7	600	830	70	180	88.0	8480
YXKK560-8	710	950	740	95.0	82	87.7	79.7	600	935	70	180	94.0	8620
YXKK560-8	800	1070	740	95.2	82	98.6	89.6	600	1054	70	180	100.0	8960
YXKK630-8	900	1210	740	95.3	84	108.2	98.4	600	1185	70	180	152.0	8810
YXKK630-8	1000	1340	740	95.4	84	120.1	109.2	600	1317	70	180	163.0	9140
YXKK630-8	1120	1500	740	95.5	84	134.3	122.1	600	1475	70	180	175.0	9410
YXKK630-8	1250	1680	740	95.6	84	149.8	136.2	600	1646	70	180	188.0	9910
YXKK450-10	185	250	585	92.4	75	25.7	23.4	550	308	80	180	25.0	3860
YXKK450-10	200	270	585	92.6	75	27.7	25.2	550	333	80	180	27.0	3980
YXKK450-10	220	295	585	92.7	75	30.4	27.7	550	366	80	180	29.0	4120

Technical data (6KV / 6.6KV)

Motor Type	Rated Power		Rated Speed	Efficiency	Power Factor	Current			Torque			Moment of Inertia J kgm ²	Approx Wt. Kg
	KW	HP	RPM	%	Cos Ø	Full Load 6KV	Full Load 6.6KV	Locked Rotor	Full Load	Locked Rotor	Pull out		
						A	A	% FLC	Kg-m	% FLT	% FLT		
YXKK450-10	250	335	585	92.9	75	34.5	31.4	550	416	80	180	31.5	4260
YXKK450-10	280	375	585	93.1	75	38.6	35.1	550	466	80	180	25.0	4440
YXKK500-10	315	420	585	93.4	76	42.7	38.8	550	525	80	180	54.0	4880
YXKK500-10	355	475	585	93.6	76	48.0	43.7	550	591	80	180	58.0	5000
YXKK500-10	400	535	585	93.8	76	54.0	49.1	550	666	80	180	63.0	5140
YXKK500-10	450	605	585	93.9	76	60.7	55.2	550	750	80	180	66.0	5320
YXKK560-10	500	670	590	94.2	78	65.5	59.5	600	826	70	180	103.0	9030
YXKK560-10	560	750	590	94.3	78	73.3	66.6	600	925	70	180	112.0	9300
YXKK560-10	630	845	590	94.4	78	82.3	74.8	600	1041	70	180	120.0	9590
YXKK560-10	710	950	590	94.5	78	92.7	84.3	600	1173	70	180	129.0	9900
YXKK630-10	800	1070	590	94.8	80	101.5	92.3	600	1321	70	180	171.0	8510
YXKK630-10	900	1210	590	94.9	80	114.1	103.7	600	1487	70	180	188.0	8710
YXKK630-10	1000	1340	590	95.0	80	126.6	115.1	600	1652	70	180	202.0	9310
YXKK630-10	1120	1500	590	95.1	80	141.7	128.8	600	1850	70	180	219.0	9710
YXKK450-12	185	250	490	92.5	70	27.5	25.0	550	368	80	180	40.0	3980
YXKK450-12	200	270	490	92.6	70	29.7	27.0	550	398	80	180	42.0	4120
YXKK500-12	220	295	490	92.8	72	31.7	28.0	550	438	80	180	51.0	4880
YXKK500-12	250	335	490	93.1	72	35.9	32.6	550	497	80	180	55.0	5030
YXKK500-12	280	375	490	93.3	72	40.0	36.5	550	557	80	180	60.0	5220
YXKK500-12	315	420	490	93.4	72	45.1	41.0	550	626	80	180	67.0	5410
YXKK560-12	355	475	490	93.6	74	49.3	44.8	600	706	70	180	111.0	8930
YXKK560-12	400	535	490	93.8	74	55.5	50.4	600	796	70	180	121.0	9150
YXKK560-12	450	605	490	93.9	74	62.3	56.7	600	895	70	180	132.0	9420
YXKK560-12	500	670	490	94.2	74	69.0	62.7	600	994	70	180	145.0	9690
YXKK630-12	560	750	490	94.3	76	75.2	68.4	600	1114	70	180	208.0	9210
YXKK630-12	630	845	490	94.4	76	84.5	76.8	600	1253	70	180	222.0	9490
YXKK630-12	710	950	490	94.5	76	95.1	86.5	600	1412	70	180	238.0	9690
YXKK630-12	800	1070	490	94.8	76	106.8	97.1	600	1591	70	180	255.0	9910

Technical data (10KV / 11KV)

Motor Type	Rated Power		Rated Speed	Efficiency	Power Factor	Current			Torque			Moment of Inertia J kgm2	Approx Wt. Kg
	KW	HP	RPM	%	Cos Ø	Full Load 10KV	Full Load 11KV	Locked Rotor	Full Load	Locked Rotor	Pull out		
						A	A	% FLC	Kg-m	% FLT	% FLT		
YXKK400-2	220	295	2975	93.1	85	16.1	14.6	700	72	60	180	5.1	2910
YXKK400-2	250	335	2975	93.2	85	16.2	16.6	700	82	60	180	5.5	2995
YXKK450-2	280	375	2975	93.4	87	19.9	18.1	700	92	60	180	10.6	3420
YXKK450-2	315	420	2975	93.7	87	22.3	20.3	700	103	60	180	11.0	3500
YXKK450-2	355	475	2980	93.9	87	25.1	22.8	700	116	60	180	11.3	3570
YXKK450-2	400	535	2980	94.2	87	28.2	25.6	700	131	60	180	11.8	3670
YXKK450-2	450	605	2980	94.4	87	31.6	28.8	700	147	60	180	12.0	3760
YXKK450-2	500	670	2980	94.7	87	35.0	31.9	700	164	60	180	12.6	3850
YXKK500-2	560	750	2980	94.9	88	38.7	35.2	700	183	60	180	20.0	4790
YXKK500-2	630	845	2980	95.0	88	43.5	39.6	700	206	60	180	21.0	4880
YXKK500-2	710	950	2980	95.1	88	49.0	44.5	700	232	60	180	22.0	4990
YXKK500-2	800	1070	2980	95.3	88	55.1	50.1	700	262	60	180	23.0	5120
YXKK500-2	900	1210	2980	95.5	88	61.8	56.2	700	294	60	180	24.0	5280
YXKK560-2	1000	1340	2980	95.5	88	67.9	61.8	700	327	60	180	39.0	8540
YXKK560-2	1120	1500	2980	95.6	89	76.0	69.1	700	366	60	180	44.0	8860
YXKK560-2	1250	1680	2980	95.8	89	84.6	77.0	700	409	60	180	51.0	9060
YXKK630-2	1400	1880	2982	95.9	89	94.7	86.1	700	458	60	180	65.0	8860
YXKK630-2	1600	2140	2982	96.0	89	108.1	98.3	700	523	60	180	70.0	9060
YXKK630-2	1800	2410	2982	96.0	88	123.0	111.8	700	588	60	180	78.0	9560
YXKK630-2	2000	2680	2982	96.2	89	134.9	122.6	700	654	60	180	85.0	10060
YXKK400-4	220	295	1485	93.5	83	16.4	14.9	700	144	70	180	8.8	2950
YXKK400-4	250	335	1485	93.6	83	18.6	16.9	700	164	70	180	9.2	3035
YXKK450-4	280	375	1485	93.7	86	20.1	18.2	700	184	70	180	13.6	3320
YXKK450-4	315	420	1485	93.8	86	22.5	20.5	700	207	70	180	14.5	3435
YXKK450-4	355	475	1485	94.0	86	25.4	23.0	700	233	70	180	15.0	3495
YXKK450-4	400	535	1485	94.2	86	28.5	25.9	700	262	70	180	16.0	3615
YXKK450-4	450	605	1485	94.4	86	32.0	29.1	700	295	70	180	17.0	3660
YXKK450-4	500	670	1485	94.5	86	35.5	32.3	700	328	70	180	18.1	3740
YXKK500-4	560	750	1485	94.7	87	39.2	35.7	700	367	70	180	28.0	4840
YXKK500-4	630	845	1485	94.9	87	44.1	40.1	700	413	70	180	28.6	5180
YXKK500-4	710	950	1485	95.0	87	49.6	45.1	700	466	70	180	30.0	5430
YXKK500-4	800	1070	1485	95.3	87	55.7	50.6	700	525	70	180	31.2	5690
YXKK500-4	900	1210	1485	95.4	87	62.6	56.9	700	591	70	180	32.5	5940

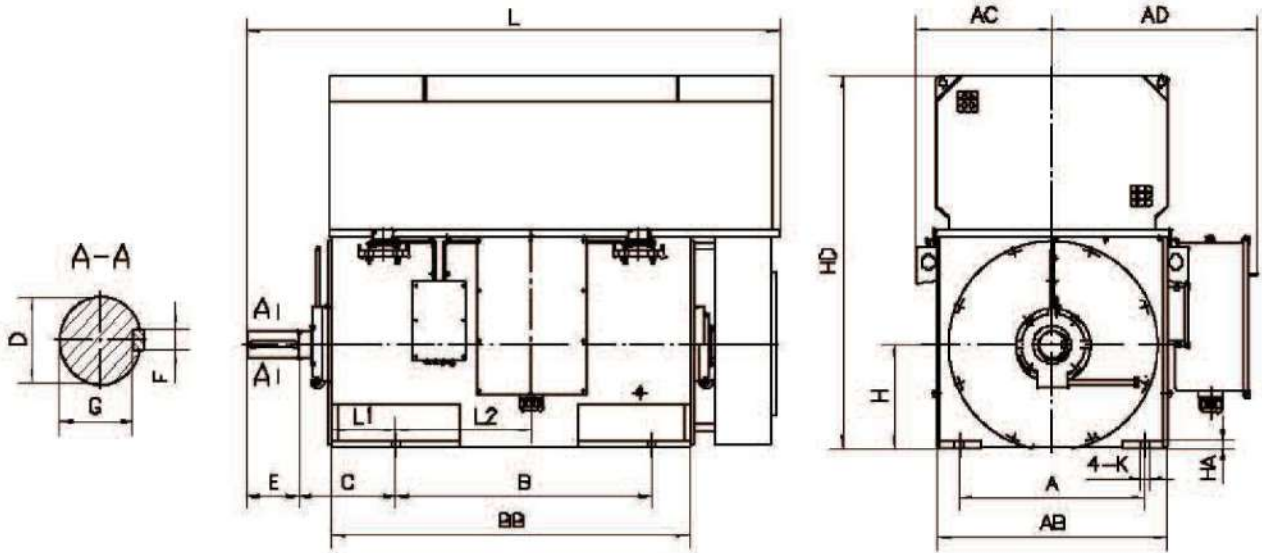
Technical data (10KV / 11KV)

Motor Type	Rated Power		Rated Speed	Efficiency	Power Factor	Current			Torque			Moment of Inertia J kgm2	Approx Wt. Kg
	KW	HP	RPM	%	Cos Ø	Full Load 10KV	Full Load 11KV	Locked Rotor	Full Load	Locked Rotor	Pull out		
						A	A	% FLC	Kg-m	% FLT	% FLT		
YXKK560-4	1000	1340	1490	95.5	89	67.9	61.8	650	654	70	180	40.0	8310
YXKK560-4	1120	1500	1490	95.5	89	76.1	69.2	650	733	70	180	46.0	8610
YXKK560-4	1250	1680	1490	95.7	89	84.7	77.0	650	818	70	180	54.0	9010
YXKK560-4	1400	1880	1490	95.8	89	94.8	86.2	650	916	70	180	59.0	9510
YXKK630-4	1400	1880	1490	95.8	88	95.9	87.2	650	916	60	180	87.0	8110
YXKK630-4	1600	2140	1492	95.9	88	109.5	99.5	650	1045	60	180	91.0	8770
YXKK630-4	1800	2410	1492	96.0	88	123.0	111.8	650	1176	60	180	95.0	8990
YXKK630-4	2000	2680	1492	96.1	88	136.5	124.1	650	1306	60	180	99.0	9810
YXKK450-6	250	335	980	93.5	82	18.8	17.1	600	249	70	180	22.0	4860
YXKK450-6	280	375	980	93.8	82	21.0	19.1	600	278	70	180	22.7	4990
YXKK450-6	315	420	980	94.0	82	23.6	21.5	600	313	70	180	24.3	5140
YXKK450-6	355	475	980	94.2	82	26.5	24.1	600	353	70	180	25.1	5300
YXKK500-6	400	535	995	94.3	84	29.2	26.5	650	392	70	180	40.0	4870
YXKK500-6	450	605	995	94.5	84	32.7	29.8	650	441	70	180	43.0	5010
YXKK500-6	500	670	995	94.8	84	36.3	33.0	650	490	70	180	46.0	5160
YXKK500-6	560	750	995	94.9	84	40.6	36.9	650	548	70	180	49.0	5350
YXKK500-6	630	845	995	95.0	84	45.6	41.4	650	617	70	180	51.0	5540
YXKK560-6	710	950	995	95.2	85	50.7	46.1	600	695	70	180	70.0	7860
YXKK560-6	800	1070	995	95.4	85	57.0	51.8	600	748	70	180	73.0	8260
YXKK560-6	900	1210	995	95.5	85	64.0	58.2	600	881	70	180	75.0	8780
YXKK560-6	1000	1340	995	95.5	85	71.1	64.7	600	979	70	180	78.0	9330
YXKK630-6	1120	1500	995	95.6	86	78.7	71.5	600	1097	60	180	127.0	9270
YXKK630-6	1250	1680	995	95.8	86	87.6	79.6	600	1224	60	180	139.0	9860
YXKK630-6	1400	1880	995	95.9	86	98.0	89.1	600	1371	60	180	149.0	10270
YXKK630-6	1600	2140	995	96.0	86	111.9	101.7	600	1567	60	180	157.0	10760
YXKK450-8	200	270	745	93.2	75	16.5	15.0	550	262	70	180	31.0	4810
YXKK450-8	220	295	745	93.4	75	18.1	16.5	550	288	70	180	32.0	4960
YXKK500-8	250	335	745	93.5	77	20.0	18.2	600	327	70	180	39.0	5045
YXKK500-8	280	375	745	93.7	77	22.4	20.4	600	366	70	180	41.0	5100
YXKK500-8	315	420	745	93.9	78	24.8	22.6	600	412	70	180	43.0	5250
YXKK500-8	355	475	745	94.0	78	28.0	25.4	600	464	70	180	45.0	5420
YXKK500-8	400	535	745	94.2	79	31.0	28.2	600	523	70	180	47.0	5210
YXKK500-8	450	605	745	94.3	79	34.9	31.7	600	589	70	180	50.0	5230

Technical data (10KV / 11KV)

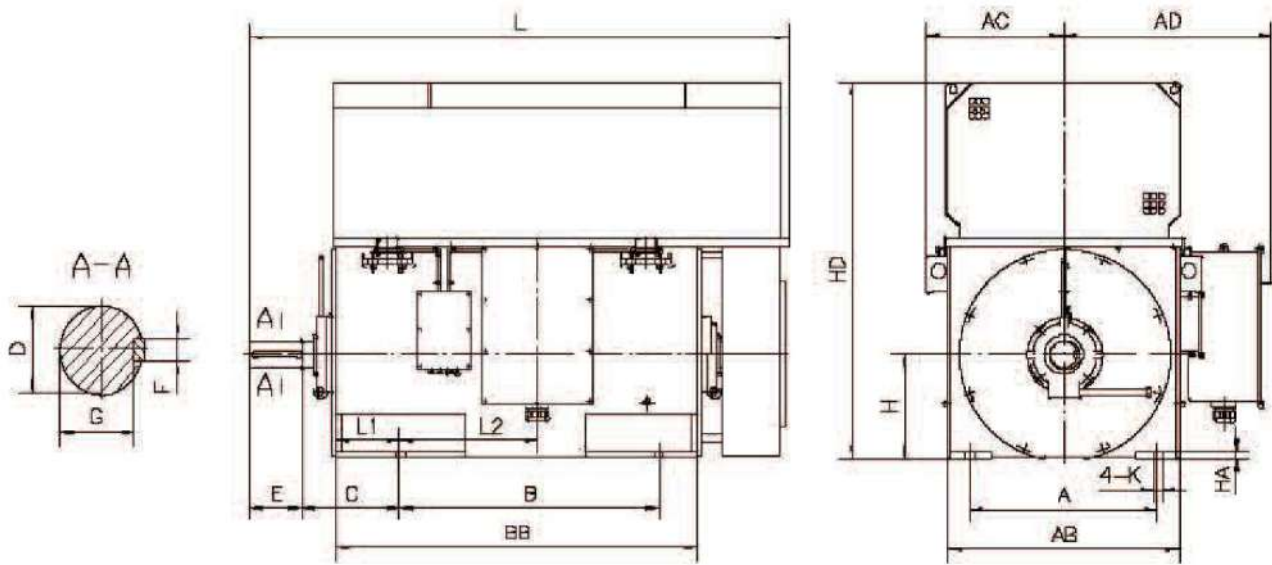
Motor Type	Rated Power		Rated Speed	Efficiency	Power Factor	Current			Torque			Moment of Inertia J kgm2	Approx Wt. Kg
	KW	HP	RPM	%	Cos Ø	Full Load 10KV	Full Load 11KV	Locked Rotor	Full Load	Locked Rotor	Pull out		
						A	A	% FLC	Kg-m	% FLT	% FLT		
YXKK500-8	500	670	745	94.7	79	38.6	35.1	600	654	70	180	52.0	5320
YXKK560-8	500	670	745	94.7	80	38.1	34.6	600	654	70	180	81.0	7360
YXKK560-8	560	750	745	94.7	80	42.7	38.8	600	733	70	180	83.0	7720
YXKK560-8	630	845	745	95.0	80	47.9	43.5	600	824	70	180	88.0	8190
YXKK560-8	710	950	745	95.0	80	53.9	49.0	600	929	70	180	93.5	8840
YXKK630-8	710	950	742	95.0	83	52.0	47.3	600	932	70	180	135.0	8160
YXKK630-8	800	1070	742	95.2	83	58.5	53.1	600	1051	70	180	142.0	8510
YXKK630-8	900	1270	742	95.3	83	65.7	59.7	600	1182	70	180	150.0	8910
YXKK630-8	1000	1070	742	95.4	83	72.9	66.3	600	1313	70	180	158.0	9110
YXKK630-8	1120	1210	742	95.5	83	81.6	74.2	600	1471	70	180	168.0	9510
YXKK500-10	220	1340	595	92.7	74	18.5	16.8	550	360	70	180	48.0	4860
YXKK500-10	250	1500	595	92.9	74	21.0	19.1	550	409	70	180	50.0	4910
YXKK500-10	280	295	595	93.1	75	23.2	21.0	550	459	70	180	52.0	4990
YXKK500-10	315	335	595	93.4	75	26.0	23.6	550	516	70	180	54.0	5130
YXKK560-10	355	375	595	93.6	77	28.4	25.9	550	581	70	180	89.0	6950
YXKK560-10	400	420	595	93.8	77	32.0	29.1	550	655	70	180	91.0	7240
YXKK560-10	450	475	595	93.9	77	35.9	32.7	550	737	70	180	95.0	7590
YXKK560-10	500	535	595	94.2	78	39.3	35.7	550	819	70	180	99.0	7980
YXKK560-10	560	605	595	94.3	78	44.0	40.0	550	917	70	180	101.0	8350
YXKK630-10	630	845	595	94.4	80	48.2	43.8	600	1032	70	180	165.0	7905
YXKK630-10	710	950	595	94.5	80	54.2	49.3	600	1163	70	180	174.0	8210
YXKK630-10	800	1070	595	94.8	80	60.9	55.4	600	1310	70	180	183.0	8510
YXKK630-10	900	1210	595	94.9	80	68.4	62.2	600	1474	70	180	199.0	8910
YXKK630-10	1000	1340	595	95.0	80	76.0	69.1	600	1638	70	180	210.0	9310
YXKK560-12	250	335	495	93.1	73	21.2	19.3	550	492	70	180	95.0	6360
YXKK560-12	280	375	495	93.3	73	23.7	21.6	550	551	70	180	99.0	6690
YXKK560-12	315	420	495	93.4	73	26.7	24.2	550	620	70	180	103.0	6940
YXKK560-12	355	475	495	93.6	73	30.0	27.3	550	699	70	180	107.0	7300
YXKK560-12	400	535	495	93.8	73	33.7	30.7	550	787	70	180	110.0	7580
YXKK630-12	450	605	495	93.9	74	37.4	34.0	600	886	70	180	158.0	7240
YXKK630-12	500	670	495	94.2	74	41.4	37.6	600	984	70	180	172.0	7535
YXKK630-12	560	750	495	94.3	74	46.3	42.1	600	1102	70	180	188.0	7950
YXKK630-12	630	845	495	94.4	74	52.1	47.3	600	1240	70	180	202.0	8775
YXKK630-12	710	950	495	94.5	74	58.6	53.3	600	1398	70	180	213.0	9260

Outline & Installation Dimensions (YXKK Series 6KV / 6.6KV)



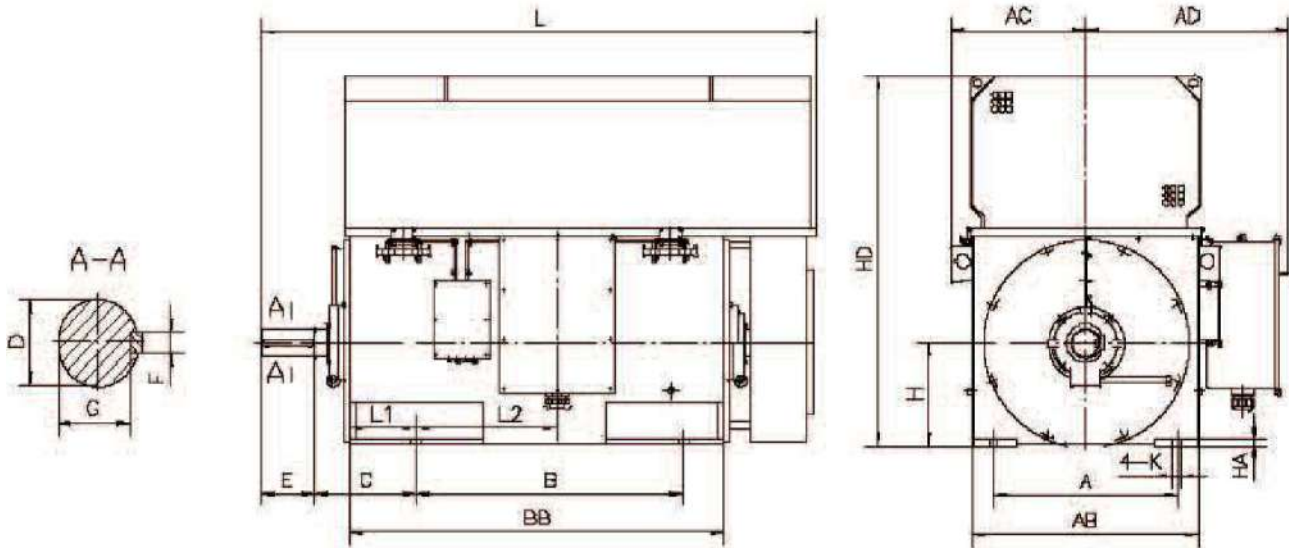
Frame Size	Pole	Installation Dimension													
		A	B	C	D		E	F		G	H		K1		
315	2	560±1.75	800±1.75	280±4	65	+0.030 +0.011	140±0.5	18	0 -0.043	58	0 -0.02	315	0 -1	28	+0.62 0
315	4	560±1.75	800±1.75	280±4	80	+0.030 +0.011	170±0.5	22	0 -0.052	71	0 -0.02	315	0 -1	28	+0.62 0
355	2	630±1.75	900±1.75	315±4	80	+0.030 +0.011	170±0.5	22	0 -0.052	71	0 -0.02	355	0 -1	28	+0.62 0
355	4~6	630±1.75	900±1.75	315±4	100	+0.035 +0.013	210±0.5	28	0 -0.052	90	0 -0.02	355	0 -1	28	+0.62 0
400	2	710±1.75	1000±1.75	375±4	90	+0.035 +0.013	170±0.5	25	0 -0.052	81	0 -0.02	400	0 -1	35	+0.62 0
400	4~8	710±1.75	1000±1.75	335±4	110	+0.035 +0.013	210±0.57	28	0 -0.052	100	0 -0.02	400	0 -1	35	+0.62 0
450	2	800±1.75	1120±1.75	400±4	100	+0.035 +0.013	210±0.57	28	0 -0.052	90	0 -0.02	450	0 -1	35	+0.62 0
450	4	800±1.75	1120±1.75	355±4	120	+0.035 +0.013	210±0.57	32	0 -0.062	109	0 -0.02	450	0 -1	35	+0.62 0
450	6~12	800±1.75	1120±1.75	355±4	130	+0.04 +0.015	250±0.57	32	0 -0.062	119	0 -0.02	450	0 -1	35	+0.62 0
500	2	900±2.1	1250±2.1	560±4	110	+0.04 +0.015	210±0.57	28	0 -0.052	100	0 -0.03	500	0 -1	42	+0.62 0
500	4	900±2.1	1250±2.1	475±4	130	+0.035 +0.013	250±0.57	32	0 -0.062	119	0 -0.03	500	0 -1	42	+0.62 0
500	6~10	900±2.1	1250±2.1	475±4	140	+0.04 +0.015	250±0.57	36	0 -0.062	128	0 -0.03	500	0 -1	42	+0.62 0
560	2	1000±2.1	1400±2.1	560±4	130	+0.04 +0.015	250±0.57	32	0 -0.062	119	0 -0.02	560	0 -1	42	+0.62 0
560	4	1000±2.1	1400±2.1	500±4	150	+0.04 +0.015	250±0.57	36	0 -0.062	138	0 -0.03	560	0 -1	42	+0.62 0
560	6~12	1000±2.1	1400±2.1	500±4	160	+0.04 +0.015	300±0.65	40	0 -0.062	147	0 -0.03	560	0 -1	42	+0.62 0
630	2	1200±2.1	1600±2.1	560±4	140	+0.04 +0.015	250±0.57	36	0 -0.062	128	0 -0.03	630	0 -1	48	+0.62 0
630	4	1200±2.1	1600±2.1	530±4	170	+0.04 +0.015	300±0.65	40	0 -0.062	157	0 -0.03	630	0 -1	48	+0.62 0
630	6~12	1200±2.1	1600±2.1	530±4	180	+0.04 +0.015	300±0.65	45	0 -0.062	165	0 -0.03	630	0 -1	48	+0.62 0

Outline & Installation Dimensions (YXKK Series 6KV / 6.6KV)



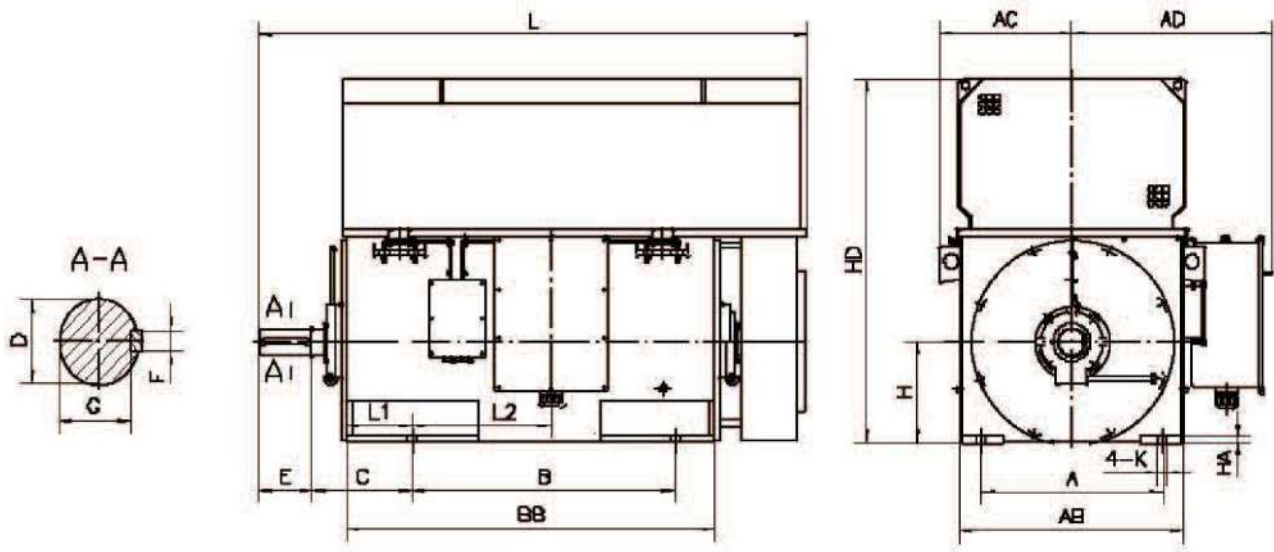
Frame Size	Pole	Installation Dimension								
		AC	AD	AB	BB	HA	HD	L1	L2	L
3315	2	495	730	720	1300	25	1300	168	480	1950
315	4	495	730	720	1300	25	1300	168	480	1950
355	2	495	760	780	1350	25	1400	189	515	2100
355	4~6	495	760	780	1400	25	1300	200	530	2100
400	2	560	900	908	1450	36	1455	249	606	2200
400	4~6	560	900	900	1510	30	1455	209	626	2241
450	2	600	926	980	1530	40	1650	287	536	2270
450	4	600	926	980	1638	32	1650	242	577	2325
450	4~12	600	926	980	1638	32	1650	242	577	2430
500	2	660	1115	1112	1720	50	2200	330	990	2920
500	4	660	1000	1112	1720	35	1805	310	669	2572
500	6~12	660	1000	1112	1720	35	1805	310	669	2572
560	2	740	1200	1216	1940	55	2500	270	1120	3400
560	4	740	1050	1216	1938	45	2120	320	755	2840
560	6~12	740	1050	1216	1938	45	2120	320	755	2890
630	2	850	1350	1396	2080	55	2900	265	1320	3430
630	4~12	825	1150	1396	2120	50	2155	365	685	3044

Outline & Installation Dimensions (YXKK Series 10KV / 11KV)



Frame Size	Pole	Installation Dimension													
		A	B	C	D	E	F	G	H		K1				
400	2	710±1.75	1000±1.75	375±4	80	+0.030 +0.011	170±0.5	22	0 -0.052	71	0 -0.2	400	0 -1	35	+0.62 0
400	4~8	710±1.75	1000±1.75	355±4	110	+0.035 +0.013	210±0.57	28	0 -0.052	100	0 -0.2	400	0 -1	35	+0.62 0
450	2	800±1.75	1120±1.75	400±4	90	+0.035 +0.013	170±0.57	25	0 -0.052	81	0 -0.2	450	0 -1	35	+0.62 0
450	4~8	800±1.75	1120±1.75	355±4	110	+0.035 +0.013	210±0.57	28	0 -0.062	100	0 -0.2	450	0 -1	35	+0.62 0
500	2	900±2.1	1250±2.1	560±4	100	+0.035 +0.013	210±0.57	28	0 -0.062	90	0 -0.2	500	0 -1	35	+0.62 0
500	4	900±2.1	1250±2.1	475±4	120	+0.04 +0.015	210±0.57	32	0 -0.062	109	0 -0.2	500	0 -1	42	+0.62 0
500	6~12	900±2.1	1250±2.1	475±4	130	+0.04 +0.015	250±0.57	32	0 -0.062	119	0 -0.2	500	0 -1	42	+0.62 0
560	2	1000±2.1	140±2.1	560±4	130	+0.04 +0.015	250±0.57	32	0 -0.062	119	0 -0.2	560	0 -1	42	+0.62 0
560	4	1000±2.1	140±2.1	500±4	150	+0.04 +0.015	250±0.57	36	0 -0.062	138	0 -0.3	560	0 -1	42	+0.62 0
560	6~12	1000±2.1	140±2.1	500±4	150	+0.04 +0.015	300±0.65	40	0 -0.052	147	0 -0.3	560	0 -1	42	+0.62 0
630	2	1120±2.1	160±2.1	560±4	140	+0.04 +0.015	250±0.57	36	0 -0.062	128	0 -0.3	630	0 -1	48	+0.62 0
630	4	1120±2.1	160±2.1	530±4	170	+0.04 +0.015	300±0.65	40	0 -0.062	157	0 -0.3	630	0 -1	48	+0.62 0
630	6~12	1120±2.1	160±2.1	530±4	180	+0.04 +0.015	300±0.65	45	0 -0.062	165	0 -0.3	630	0 -1	48	+0.62 0

Outline & Installation Dimensions (YXKK Series 10KV / 11KV)



Frame Size	Pole	Installation Dimension								
		AC	AD	AB	BB	HA	HD	L1	L2	L
400	2	560	900	908	1450	36	1455	249	606	2200
400	4~6	560	900	900	1510	30	1455	209	626	2241
450	2	605	934	1000	1530	40	1650	250	515	2175
450	4~8	600	926	980	1638	32	1650	242	577	2325
500	2	660	1115	1112	1720	50	2200	330	990	2920
500	4	660	1000	1112	1720	35	1805	310	669	2532
500	6~12	660	1000	1112	1720	35	1805	310	669	2572
560	2	740	1200	1216	1940	55	2500	270	1120	3400
560	4	740	1050	1216	1938	45	2120	320	755	2840
560	6~12	740	1050	1216	1938	45	2120	320	755	2890
630	2	850	1350	1396	2080	55	2900	265	1320	3430
630	4~12	825	1150	1396	2120	50	2155	365	685	3044



EMT OMEC Pty Ltd
114 Station Rd Seven Hills
NSW 2147, Australia

Phone: +61 (2) 9838 8181
Fax: +61 (2) 9838 8421

sales@emtomec.com.au
enquiries@emtomec.com.au