

D

5

4

3

2

1

—

C



B

—

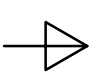
A

|

5

|

4



3

|

2

|

1

A

—

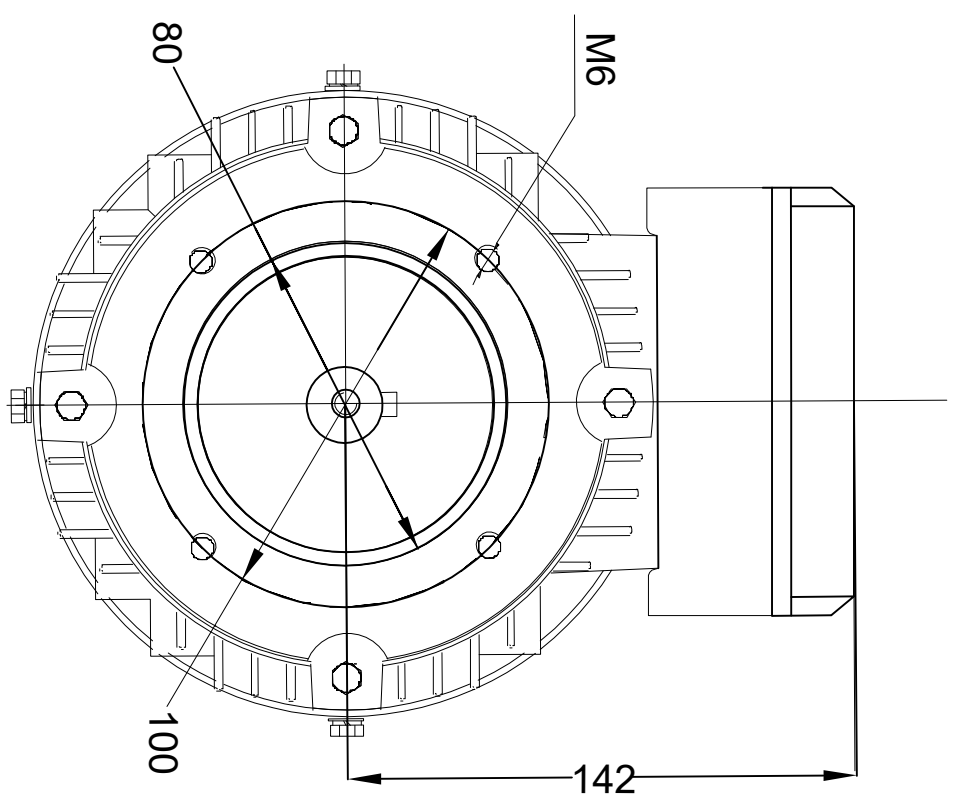
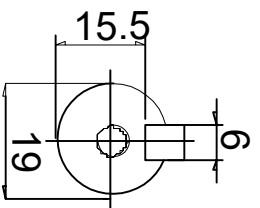
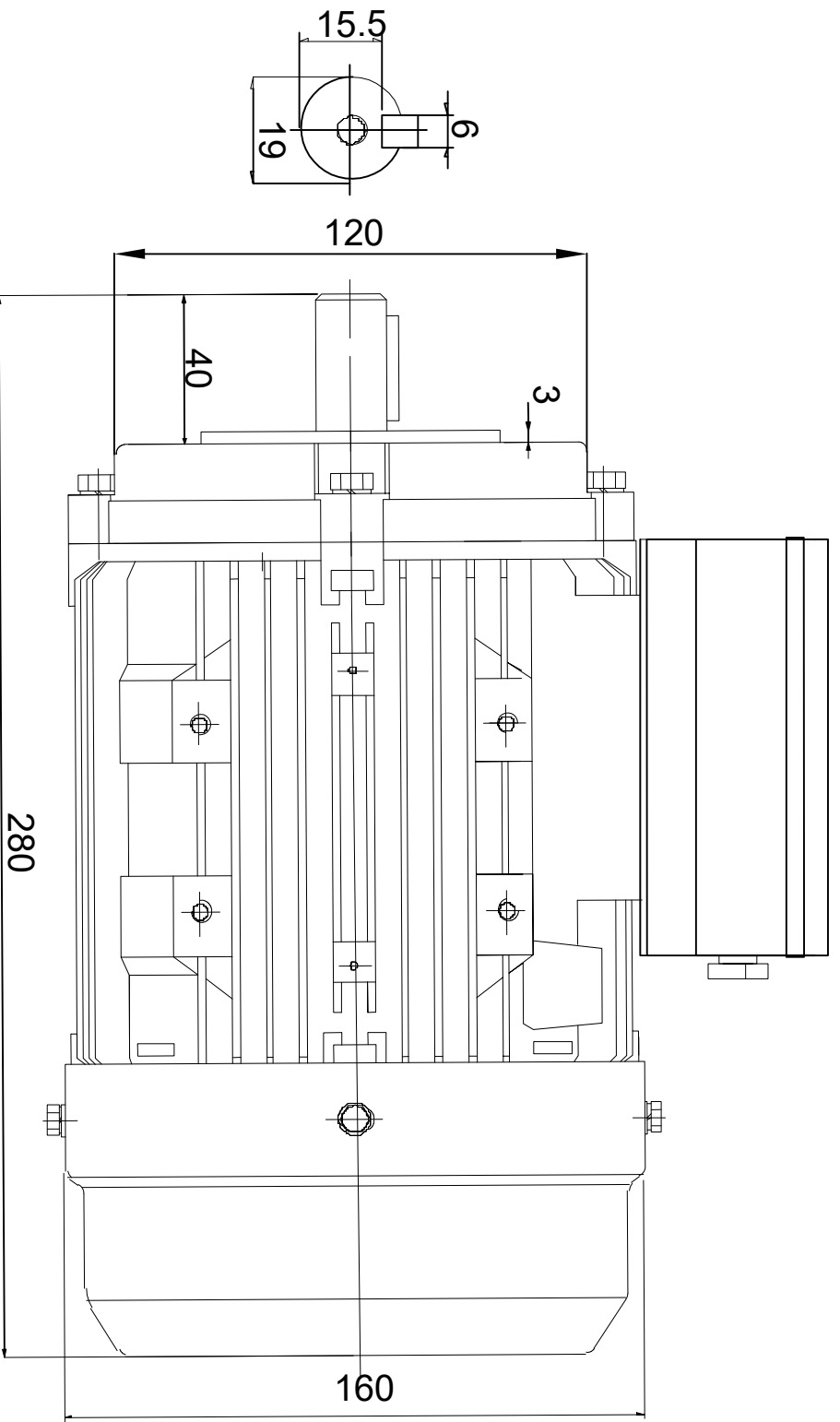
B



C

—

D



MY/ML B14A 80 FRAME