

D

5

4

3

2

1

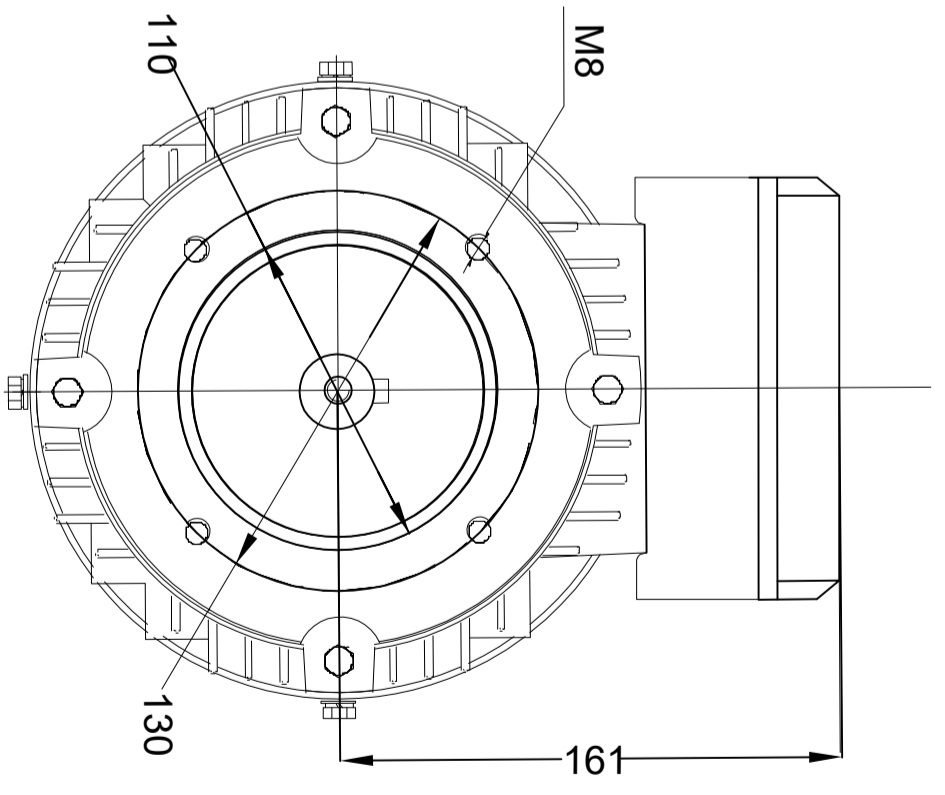
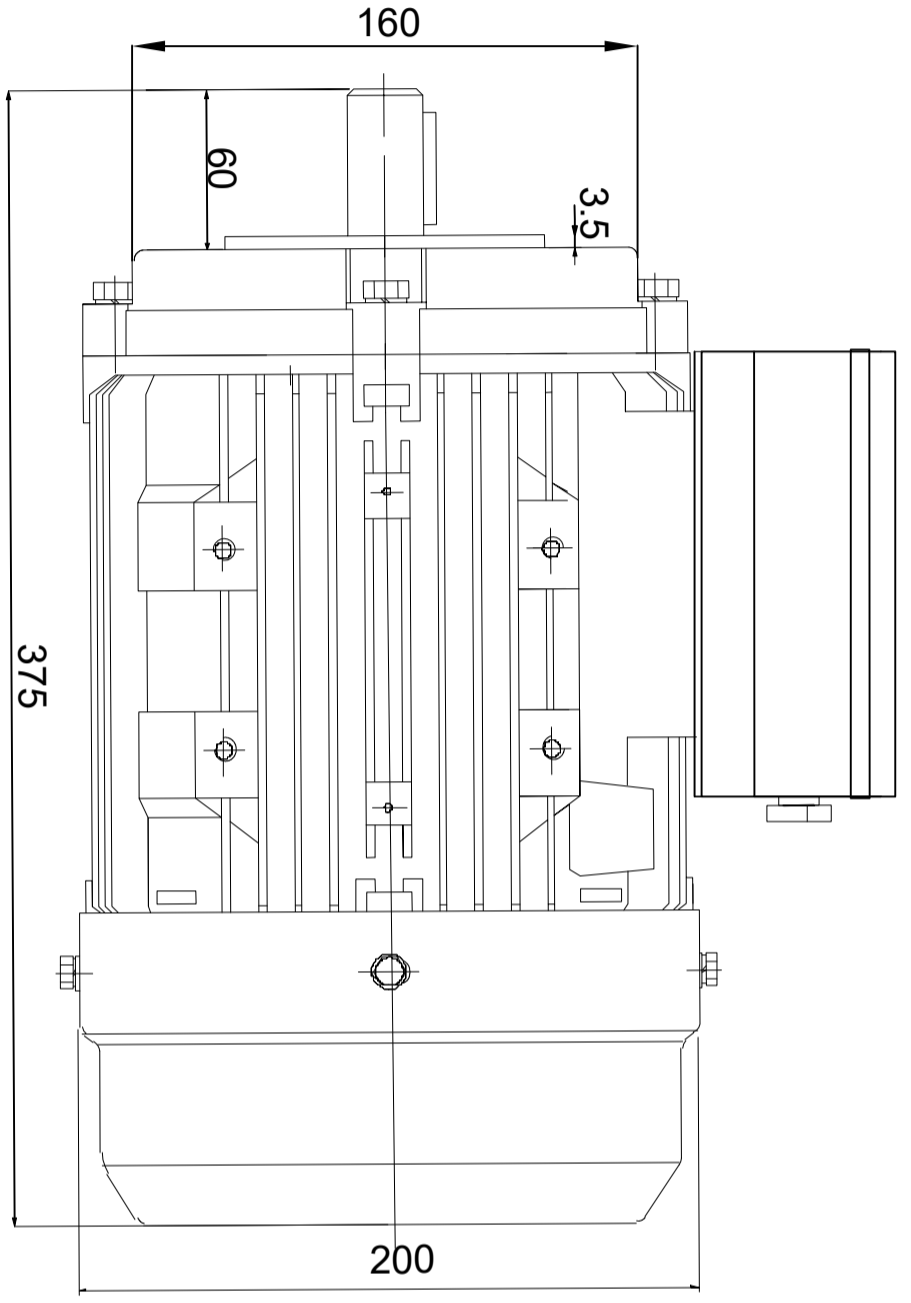
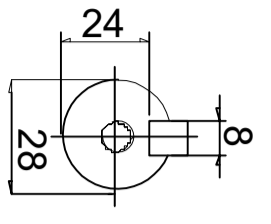
D

C



B

A



MY/ML B14A 100L FRAME

A

5

4

3

2

1

A

