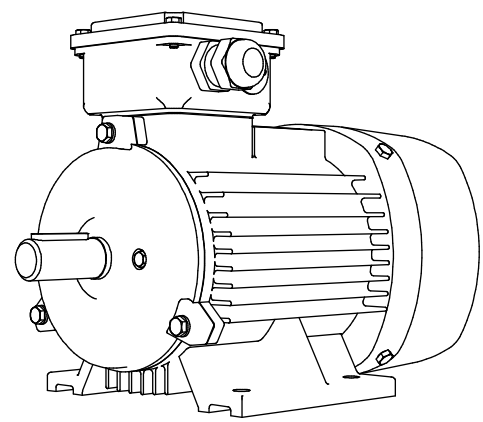
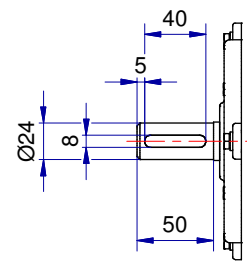


Shaft detail



01-IP55-Cast Iron-IE2-90S B3-2_8