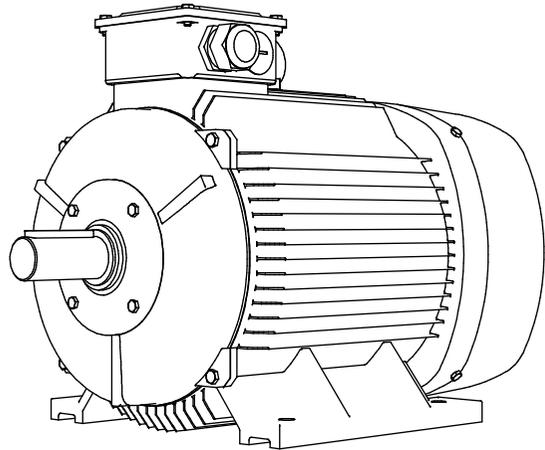
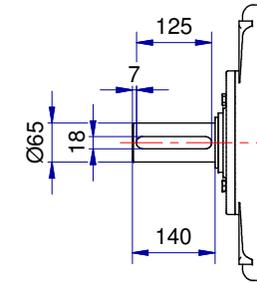


Shaft detail



01-IP55-Cast Iron-IE2-280S B3-2