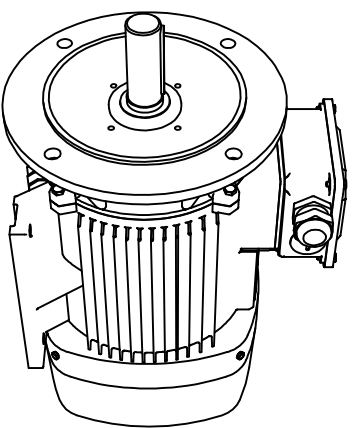


Shaft detail



01-IP55-Cast Iron-IE2-160M B35-2_8